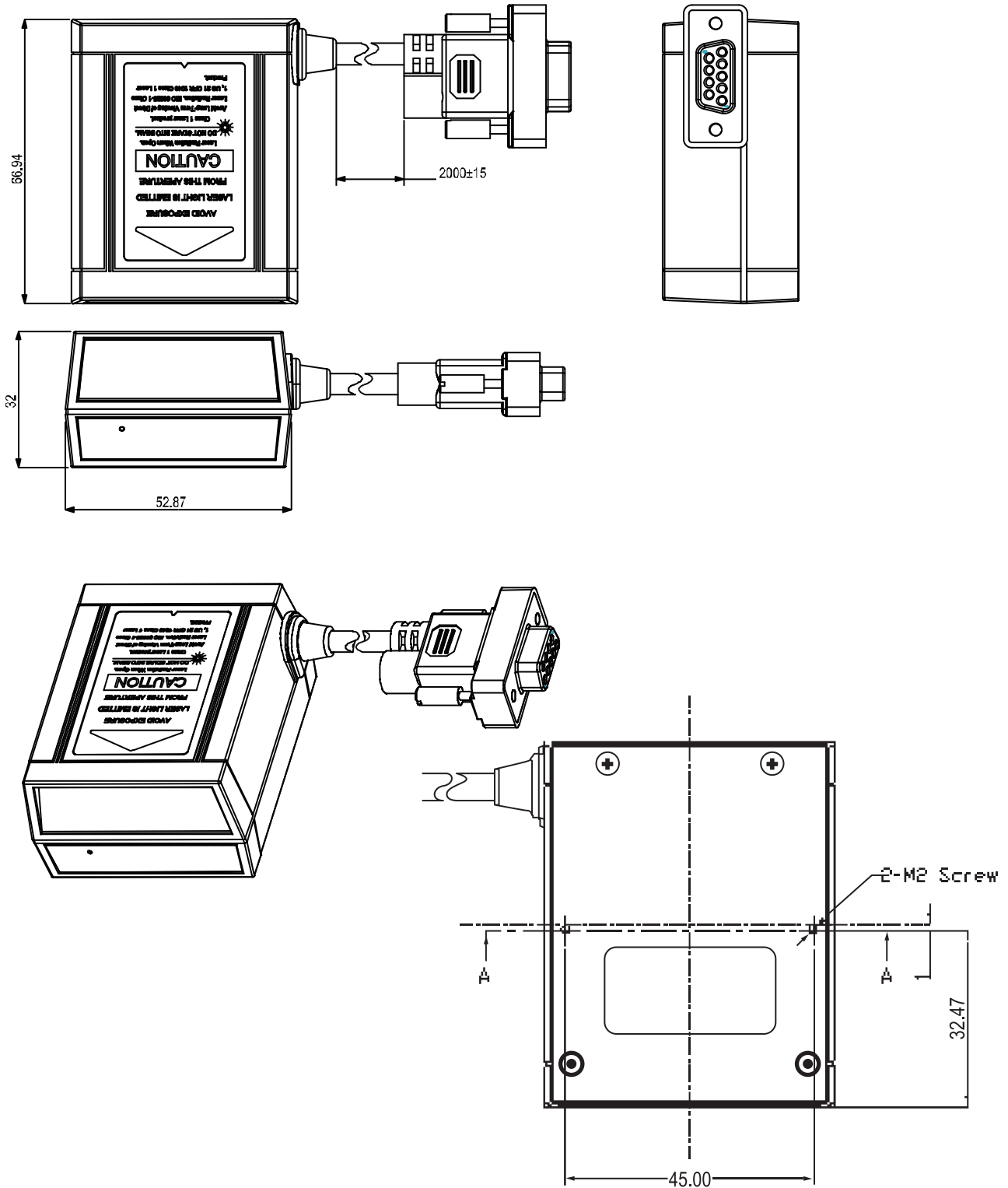


A-51M / Z-5151 High-Speed Laser Scan Module



Screw Size: M2 x 0.4 x 6 mm