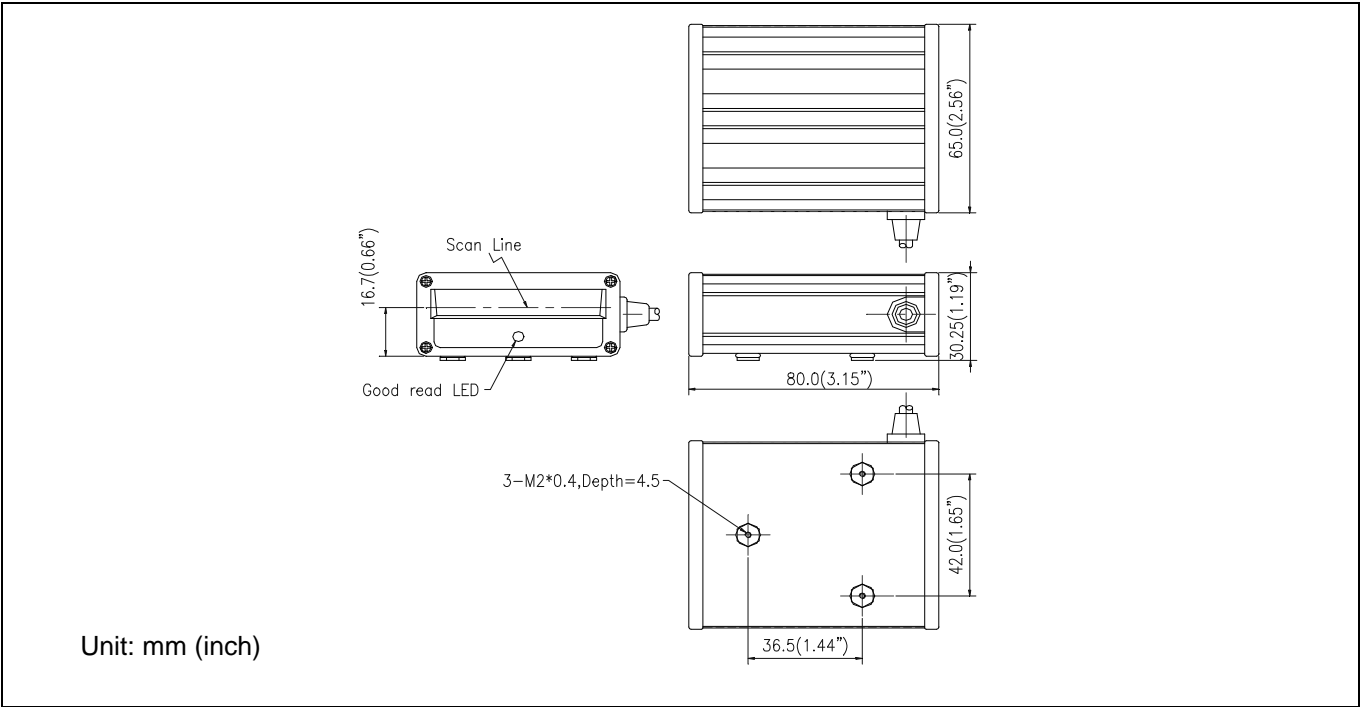


A-62M G2

Middle-Range CCD Scan Module

Standard Device

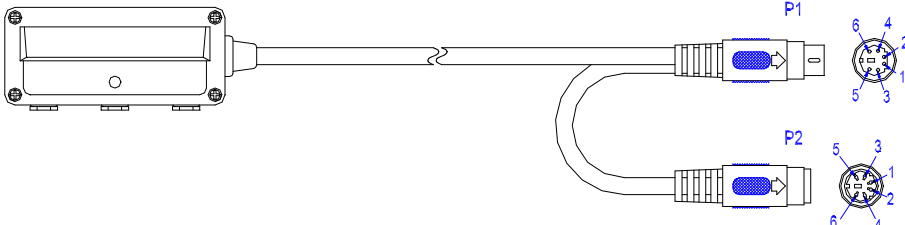



Barcode	P/N	Model Name	Remark
	880-62G2KP-001	A-62M-G2 (K)	Standard device w/PS/2 connector
	880-62G2ML-001	A-62M-G2 (R)	Standard device w/RS-232 interface with 2 housing connector
	880-62G2R9-001	A-62M-G2 (R)	Standard Device w/RS-232 interface with DCE pin-out
	880-62G2RP-001	A-62M-G2 (R)	Standard device w/RS-232 interface with DTE pin-out
	880-62G2UB-001	A-62M-G2 (U)	Standard device w/USB interface
	880-62G2UR-001	A-62M-G2 (UR)	Standard device w/USB virtual COM Interface

Standard Cable Options

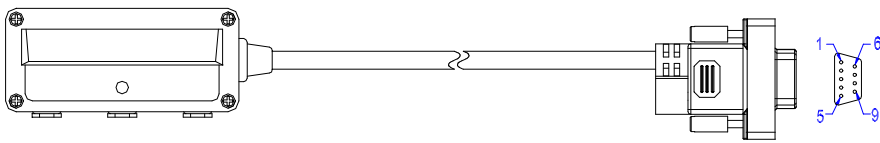
- The standard cable is gray, straight, and 2 meters (6.5 feet) in length.
- The standard cable options include PS/2, RS-232, HID USB, USB virtual COM and etc.
- Special Order Requirement:
ZEBEX is capable of supplying special customized cable, given that customers provide detailed pin configurations. The minimum order quantity of a special cable is 250 pcs.


1. Keyboard Wedge connection for PS/2 compatible terminal

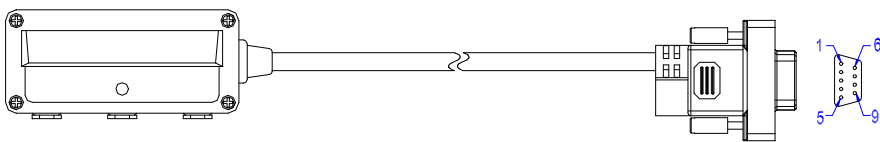
<u>K TYPE MINI DIN(M)+ MINI DIN(F)</u>		PIN-OUT CONFIGURATION			
		MINI DIN (M)		MINI DIN(F)	
		DIN	FUNATION	DIN	FUNATION
	1	PC Data	1	KB Data	
	2	N.C.	2	N.C.	
	3	GND	3	GND	
	4	+5V	4	+5V	
	5	PC Clock	5	KB Clock	
	6	N.C.	6	N.C.	


Item Part No.	170-50K100-200	
----------------------	----------------	---

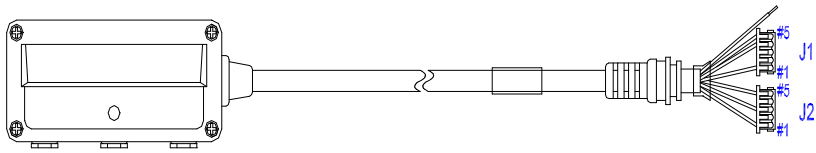
2. RS-232C interface uses detachable cable Please select a suitable cable from the following options


<u>DTE Pin-Out</u>		PIN-OUT CONFIGURATION			
		2.	TX	7.	CTS
		3.	RX	8.	RTS
		5.	GND	9.	+5V Input

Item Part No.	170-50R445-200	
----------------------	----------------	---

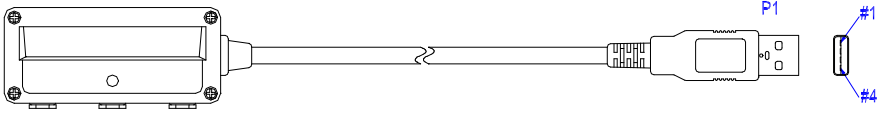

<u>DCE Pin-Out</u>		PIN-OUT CONFIGURATION			
		2.	RX	7.	RTS
		3.	TX	8.	CTS
		5.	GND	9.	+5V Input

Item Part No.	170-50R435-200	
----------------------	----------------	---

<u>RS-232 Interface with 2 housing connector</u> (Note: Cable length 150 cm)		J1	FUNCTION	COLOR
		#1	RTS	Grass
		#5	CTS	Blue
		#4	GND	Orange
		#3	+5V	Red
		#5	TX	Purple
		#1	RX	Pink
			TRIGGER	WHITE

Item Part No.	170-50R000-150	
----------------------	----------------	---

3. HID USB / USB virtual COM interface

	USB TYPE A CONNECTOR	FUNCTION
	1.	VCC
	2.	D-
	3.	D+
	4.	GND
Item Part No.	170-52U030-200	

* Additional software installation may be necessary for activating virtual COM interface.

Power Adapter

A-62M G2 requires a minimum of 120mA at 5 VDC power and consumes power from the host machine. If the host can not supply sufficient power, ZEBEX provides adapters of the following plug types:

UK Plug	US Plug	Austrian Plug	European Plug	Korean Plug
