

## Z-2065 Windows CE.NET Handheld Computer



### Standard Device

P/N	Model Name	Remark
882-65B100-100	Z-2065BA	Z-2065BA w/1D Laser RS-232+USB cable
882-65G1SH-100	Z-2065W1GSH	Z-2065 w/1D Laser +WL+BT+GPRS(2.5G)+GPS+RFID,RS232+USB
882-65G2SH-100	Z-2065W2GSH	Z-2065 w/2D+WL+BT+GPRS(2.5G)+GPS+RFID,RS232+USB
882-65W100-100	Z-2065WL1	Z-2065 w/1D Laser+WL+BT,RS-232+USB cable
882-65W1G0-100	Z-2065W1G	Z-2065 w/1D Laser +WL+BT+GPRS(2.5G),RS232+USB
882-65W1GS-100	Z-2065W1GS	Z-2065 w/1D+WL+BT+GPRS(2.5G)+GPS,RS-232+USB cable
882-65W1H0-100	Z-2065W1H	Z-2065 w/1D+WL+BT+RFID,RS232+USB
882-65W200-100	Z-2065WL2	Z-2065 w/2D+WL+BT,RS-232+USB cable





### Accessory



Description	Hand Strap		
Barcode	P/N	Remark	
	623-220500-031	Hand strap	

Description	Stylus pen		
Barcode	P/N	Remark	
	560-820500-741	Length: 95.7mm, including reset thimble	

Description	Battery		
Barcode	P/N	Remark	
	862-20650K-012	Lithium-Ion rechargeable battery pack	

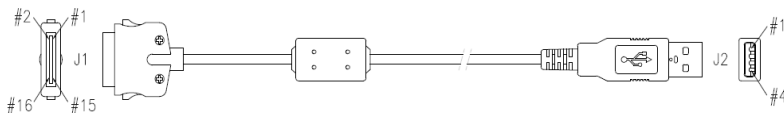

# [ Buyer's Guide ]

Description	Cradle		
Barcode	P/N	Remark	
	882-60CR00-000	Communication and charging cradle	
	170-00U300-150	USB cable for cradle	
	174-1RF050-150	RS-232 cable for cradle	
	11S-500000-018	Adapter for cradle (no plug)	

Description	4-slot charger		
Barcode	P/N	Remark	
	882-80BC00-001	4-slot charger	
	11S-90027N-228	Adapter for charger (no plug)	

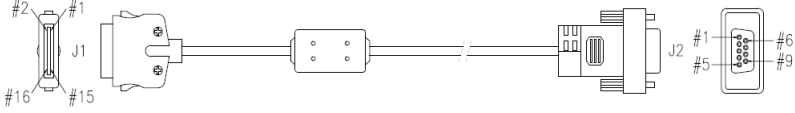
## Standard Cable

### 1. USB Cable


	PIN-OUT CONFIGURATION			
	16 Pin Connector		USB A	
	1	USB_5V	1	VCC
	9	GND	2	D-
	10	GND	3	D+
	14	GND	4	GND
	15	USB_N (D-)		
16	USB_P (D+)			
<b>Item Part No.</b>	170-70U300-180			

# [ Buyer's Guide ]

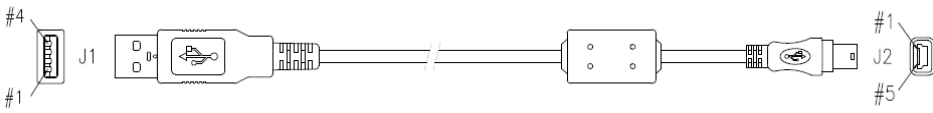
## 2. RS-232 cable

		PIN-OUT CONFIGURATION			
		16 Pin Connector		DB-9(F)	
2	DCD	1	DCD		
3	DSR	2	RXD		
4	CTS	3	TXD		
5	RXD	4	DTR		
6	DTR	5	CND		
7	RTS	6	DSR		
8	TXD	7	RTS		
9	GND	8	CTS		
10	GND	9	RI		
11	GND				
12	DC-in (9V)	DC-in	9V		
13	DC-in (9V)				


Item Part No. 170-74R449-150



## 3. Mini USB cable

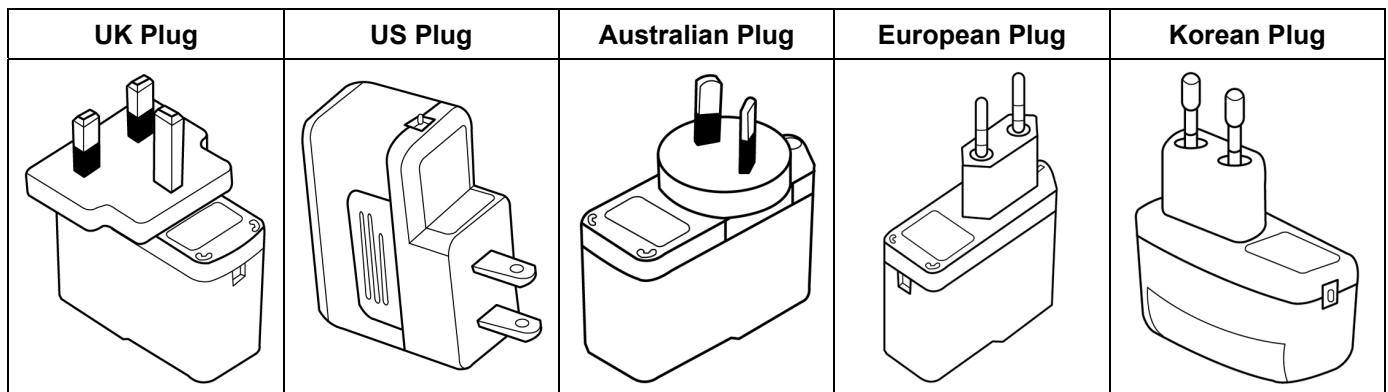
		PIN-OUT CONFIGURATION			
		USB Type A		Mini USB	
1.	VCC	1	USB 5V		
2.	D-	2	D-		
3	D+	3	D+		
4	GND	5	GND		

Item Part No. 173-0U0000-150



## Power Adapter

ZEBEX provides adapters of the following plug types:



\* The figures are for reference only. The adaptor form factor is subject to change without prior notice.