




[Buyer's Guide]

Z-3172 Handheld Gun Type 2D Imager

Standard Device

	PIN-OUT CONFIGURATION		
	PIN	FUNCTION	
		RS-232C	USB
	1	NC	
	2	Interface Select	
	3	RTS	
	4	+5V	
	5	CTS	
	6	RXD	
	7	TXD	
8	GND		
9		D+	
10		D-	



Ordering Information

Barcode	P/N	Model Name	Remark
	88H-7200UB-001	Z-3172(U)(B)	Gun Type 2D Image Handheld Scanner, black, USB Cable
	88H-7200RP-001	Z-3172(R)(B)	Gun Type 2D Image Handheld Scanner, black, RS232 Cable

Standard Cable Options

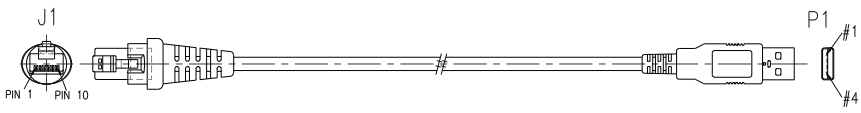

- The standard cable is gray, straight, and 2 meters (6.5 feet) in length.
- The standard cable options include RS-232 and USB.
- Special Order Requirement:
ZEBEX is capable of supplying special customized cable, given that customers provide detailed pin configurations. The minimum order quantity of a special cable is 250 pcs.

1. RS-232C Cable


	PIN-OUT CONFIGURATION	
	DB-9 (F)	FUNCTION
	2	TXD
	3	RXD
	5	GND
	7	CTS
	8	RTS
9	+5V	
Item Part No.	170-15R445-300	

[Buyer's Guide]

2. USB Cable

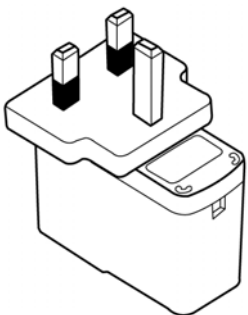
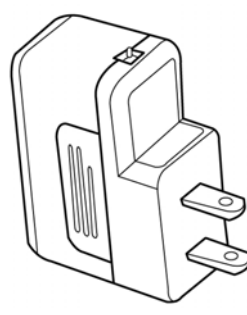
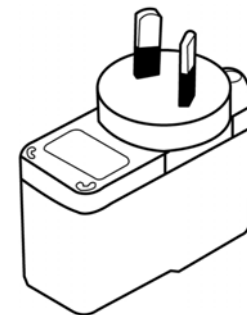
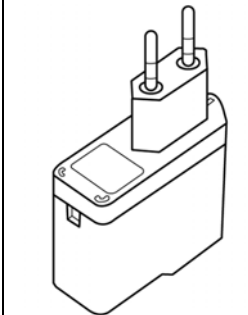
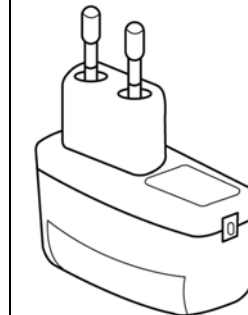
		USB TYPE A CONNECTOR	FUNCTION
		1.	VCC
		2.	D-
		3.	D+
		4.	VSS
Item Part No.	170-15U303-200		

Optional Stand Selection

	88H-72ST00-001	Stand	Z-317X Series Stand
---	----------------	-------	---------------------

Power Adapter

Z-3172 requires a minimum of 110mA at 5 VDC power and consumes power from the host machine. If the host can not supply sufficient power, ZEBEX provides adapters of the following plug types:

UK Plug	US Plug	Australian Plug	European Plug	Korean Plug
				

* The figures are for reference only. The adaptor form factor is subject to change without prior notice.