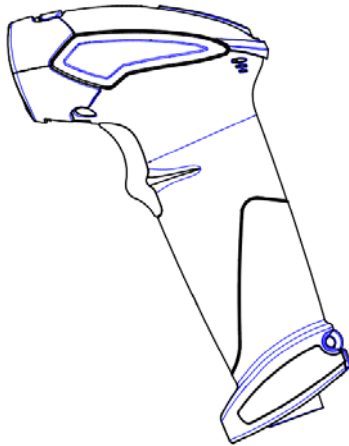


Z-3192 Series Gun Type Handheld 2D Image Reader

Standard Device



PIN-OUT CONFIGURATION

RJ 1.	RTS	RJ 2.	USB+
RJ 3.	USB-	RJ 4.	GND
RJ 5.	CTS	RJ 6.	RXD
RJ 7.	USB_ENABLE	RJ 8.	+5V
RJ 9.	NC	RJ 10.	TXD

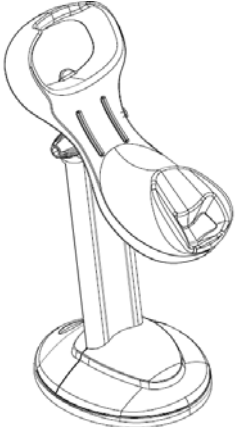



Z-3192SR (Standard Version)

Barcode	P/N	Model Name	Remark
	88H-92SRRP-000	Z-3192SR (R)	White housing w/RS232 cable (DTE pin-out)
	88H-92SRRP-001	Z-3192SR (R) (B)	Black housing w/RS232 cable (DTE pin-out)
	88H-92SRUB-000	Z-3192SR (U)	White housing w/USB cable
	88H-92SRUB-001	Z-3192SR (U) (B)	Black housing w/USB cable

Z-3192HD (High Density Version)

Barcode	P/N	Model Name	Remark
	88H-92HDRP-000	Z-3192HD (R)	White housing w/RS232 cable (DTE pin-out)
	88H-92HDRP-001	Z-3192HD (R) (B)	Black housing w/RS232 cable (DTE pin-out)
	88H-92HDUB-000	Z-3192HD (U)	White housing w/USB cable
	88H-92HDUB-001	Z-3192HD (U) (B)	Black housing w/USB cable

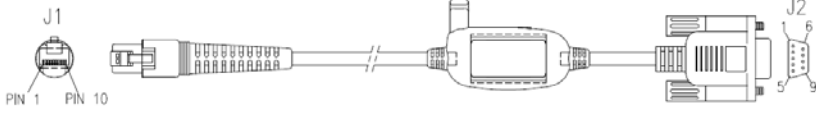


Optional Accessory

	Description		Stand for Z-319X Series	
	Barcode	P/N	Remark	
		88H-90ST00-000	White Housing	
		88H-90ST00-001	Black Housing	
		88H-90ST00-0NB	White Housing w/o ZEBEX logo	
	88H-90ST00-0N1	Black Housing w/o ZEBEX logo		

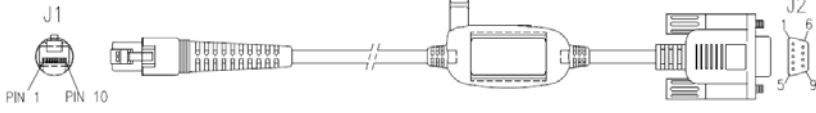


Cable Options

- The standard cable is gray, straight, and 2 meters (6.5 feet) in length.
- The standard cable options include RS-232 and USB.
- Special Order Requirement:
ZEBEX is capable of supplying special customized cables, given that customers provide detailed pin configurations. Please contact your sales representative to further discuss the minimum order quantity of the special cables.

1. RS-232C Communication Cable (DTE pin out)



	PIN-OUT CONFIGURATION	
	DB-9 (F)	FUNCTION
	2	TX
	3	RX
	7	CTS
	8	RTS
	5	GND
	9	+5V Input
Item Part No.	171-10R442-200	
	171-10R443-200	

2. RS-232C Communication Cable (DCE pin out) (non-standard option)

	PIN-OUT CONFIGURATION	
	DB-9 (F)	FUNCTION
	2	RX
	3	TX
	7	RTS
	8	CTS
	5	GND
	9	+5V Input
Item Part No.	171-10R432-200	
	171-10R433-200	

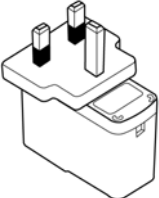
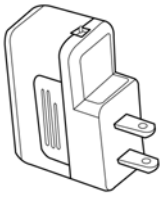
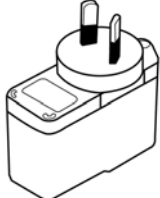
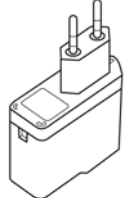
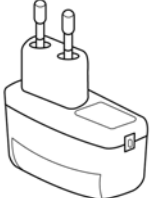
[Buyer's Guide]

3. USB Cable

USB TYPE A		USB TYPE A CONNECTOR	FUNCTION
		1.	VCC
2.	D-		
3.	D+		
4.	VSS		
Item Part No.	171-14U302-200		
	171-14U303-200		

Power Adapter

Z-3192 requires a minimum of 280mA at 5 VDC power and consumes power from the host machine. If the host can not supply sufficient power, ZEBEX provides adapters of the following plug types:

UK Plug	US Plug	Australian Plug	European Plug	Korean Plug
				

* The figures are for reference only. The adaptor form factor is subject to change without prior notice.