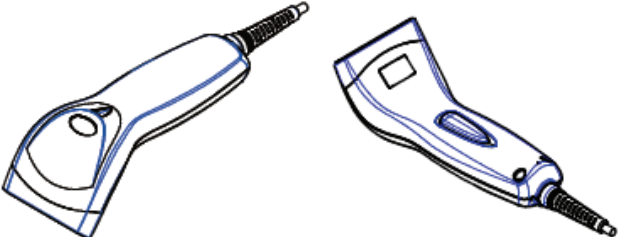
















Z-3220 Handheld Linear Image Scanner

32 Bit
Ultrascan Decoding Technology

Standard Device

	PIN-OUT CONFIGURATION			
	MODULE JACK_PIN#	Keyboard Wedge	USB	RS-232C
	#1	N/C	N/C	N/C
	#2	Keyboard_ Data	USB_D+	N/C
	#3	PC_ Clock	USB_D-	N/C
	#4	Ground	Ground	Ground
	#5	N/C	N/C	N/C
	#6	N/C	N/C	RXD (TTL level)
	#7	Keyboard_ Clock	N/C	N/C
	#8	PC 5V	+ 5V	+ 5V
#9	PC_ Data	N/C	N/C	
#10	N/C	N/C	TXD(TTL level)	

Ordering Information

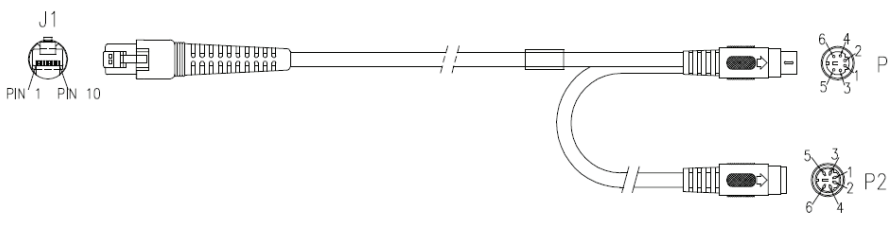
	88H-200000-000	Z-3220	White housing (device only, w/o cable)
	88H-200000-001	Z-3220 (B)	Black housing (device only, w/o cable)
	88H-2000KP-000	Z-3220 (K)	White housing w/PS/2 cable
	88H-2000KP-001	Z-3220 (K)(B)	Black housing w/PS/2 cable
	88H-2000RP-000	Z-3220 (R)	White housing w/RS-232 cable (DTE pin-out)
	88H-2000RP-001	Z-3220 (R)(B)	Black housing w/RS-232 cable (DTE pin-out)
	88H-2000UB-000	Z-3220 (U)	White housing w/USB cable
	88H-2000UB-001	Z-3220 (U)(B)	Black housing w/USB cable
	88H-2000RP-0NB	Z-3220 (R)	White housing w/RS-232 cable (DTE pin-out) w/o ZEBEX logo
	88H-2000RP-0N1	Z-3220 (R)(B)	Black housing w/RS-232 cable (DTE pin-out) w/o ZEBEX logo
	88H-2000UB-0NB	Z-3220 (U)	White housing w/USB cable w/o ZEBEX logo
	88H-2000UB-0N1	Z-3220 (U)(B)	Black housing w/USB cable w/o ZEBEX logo
	88H-2000UR-000	Z-3220 (UR)	White housing w/USB Virtual COM Interface
	88H-2000UR-001	Z-3220 (UR)(B)	Black housing w/USB Virtual COM Interface

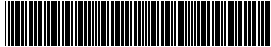
[Buyer's Guide]

Cable Options

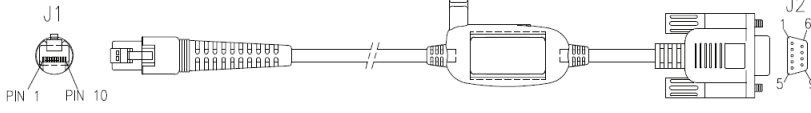
- The standard cable is gray, straight, and 2 meters (6.5 feet) in length.
- The standard cable options include PS/2, RS-232, and USB cable.
- Special Order Requirement:
ZEBEX is capable of supplying special customized cables, given that customers provide detailed pin configurations. Please contact your sales representative to further discuss the minimum order quantity of the special cables.



1. Keyboard Wedge Cable (for PS/2)

	PIN-OUT CONFIGURATION			
	MINI DIN (M)		MINI DIN(F)	
1.	PC Data	1.	KB Data	
2.	N.C.	2.	N.C.	
3.	GND	3.	GND	
4.	+5V	4.	+5V	
5.	PC Clock	5.	KB Clock	
6.	N.C.	6.	N.C.	

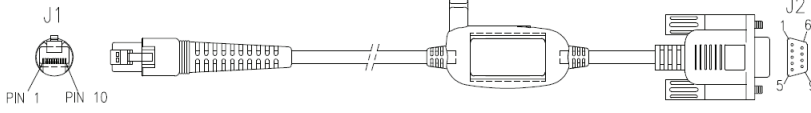
Item Part No.	171-10K102-200	
----------------------	----------------	---



2. RS-232C Communication Cable (DTE pin out)

	PIN-OUT CONFIGURATION	
	DB-9 (F)	FUNCTION
2	TX	
3	RX	
7	CTS	
8	RTS	
5	GND	
9	+5V Input	

Item Part No.	171-10R442-200	
	171-10R443-200	

3. RS-232C Communication Cable (DCE pin out) (non-standard option)

	PIN-OUT CONFIGURATION	
	DB-9 (F)	FUNCTION
2	RX	
3	TX	
7	RTS	
8	CTS	
5	GND	
9	+5V Input	

Item Part No.	171-10R432-200	
	171-10R433-200	

4. HID USB / Virtual COM USB / OPOS USB Interface with Detachable Cable Type A

		PIN-OUT CONFIGURATION	
		USB TYPE A CONNECTOR	FUNCTION
		1.	VCC
		2.	D-
		3.	D+
4.	VSS		
Item Part No.	171-10U303-200		
	171-10U302-200		

* Additional software or special firmware may be required for activating virtual COM or OPOS USB interface.

Power Adapter

Z-3220 requires a minimum of 110mA at 5 VDC power and consumes power from the host machine. If the host can not supply sufficient power, ZEBEX provides adapters of the following plug types:

UK Plug	US Plug	Australian Plug	European Plug	Korean Plug

* The figures are for reference only. The adaptor form factor is subject to change without prior notice.