

[Buyer's Guide]

Z-3272 Plus Gun Type 2D Image Handheld Scanner

Standard Device

	PIN-OUT CONFIGURATION		
	MODULE JACK_PIN#	RS-232C	USB
	#1	RTS (TTL level)	N/C
	#2	N/C	USB_D+
	#3	N/C	USB_D-
	#4	Ground	Ground
	#5	CTS (TTL level)	N/C
	#6	RXD (TTL level)	N/C
	#7	N/C	N/C
	#8	N/C	USB 5V
#9	VDD 5V	N/C	
#10	TXD(TTL level)	N/C	

Ordering Information

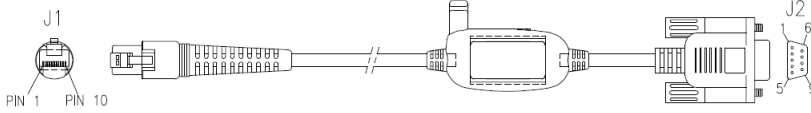


Barcode	P/N	Model Name	Remark
	88H-27PLUB-001	Z-3272 Plus(U)(B)	Gun Type 2D Image Handheld Scanner Black USB
	88H-27PLUB-0S1	Z-3272 Plus(U)(B)	Gun Type 2D Image Handheld Scanner Black USB Stand
	88H-27PLRP-001	Z-3272 Plus(R)(B)	Gun Type 2D Image Handheld Scanner Black RS232
	88H-27PLRP-0S1	Z-3272 Plus(R)(B)	Gun Type 2D Image Handheld Scanner Black RS232 Stand
	88H-27PLRP-A01	Z-3272 Plus(R)(B)	Gun Type 2D Image Handheld Scanner Black RS232 AU adapter
	88H-27PLRP-E01	Z-3272 Plus(R)(B)	Gun Type 2D Image Handheld Scanner Black RS232 EU adapter
	88H-27PLRP-K01	Z-3272 Plus(R)(B)	Gun Type 2D Image Handheld Scanner Black RS232 UK adapter
	88H-27PLRP-U01	Z-3272 Plus(R)(B)	Gun Type 2D Image Handheld Scanner Black RS232 US adapter

[Buyer's Guide]

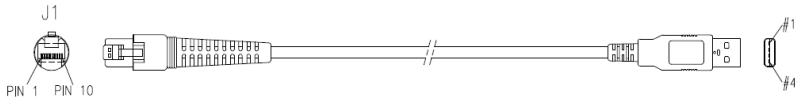


Standard Cable Options

- The standard cable is gray, straight, and 2 meters (6.5 feet) in length.
- The standard cable options include RS-232 and USB.
- Special Order Requirement:
ZEBEX is capable of supplying special customized cables, given that customers provide detailed pin configurations. Please contact your sales representative to further discuss the minimum order quantity of the special cables.

1. RS-232C Communication Cable (DTE pin out)


	PIN-OUT CONFIGURATION	
	DB-9 (F)	FUNCTION
	2	TX
	3	RX
	7	CTS
	8	RTS
	5	GND
	9	+5V Input
Item Part No.	171-10R442-200	
	171-10R443-200	

2. HID USB / Virtual COM USB / OPOS USB Interface with Detachable Cable Type A

	PIN-OUT CONFIGURATION	
	USB TYPE A CONNECTOR	FUNCTION
	1.	VCC
	2.	D-
	3.	D+
	4.	VSS
Item Part No.	171-10U303-200	
	171-10U302-200	

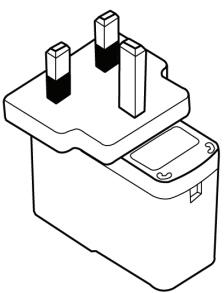
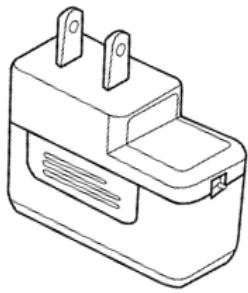
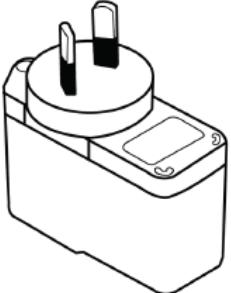
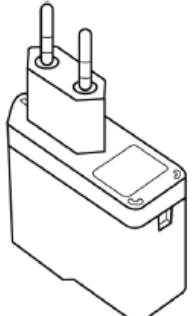
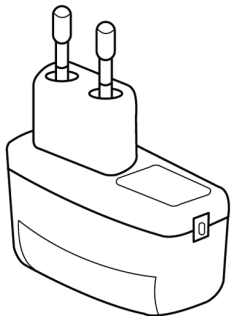
* Additional software or special firmware may be required for activating virtual COM or JPOS USB interface.

Optional Stand Selection

	88H-27ST00-001	Stand	Stand for Z-3272 Black
---	----------------	-------	------------------------

Power Adapter

Z-3272 Plus requires a minimum of 300mA at 5 VDC power and consumes power from the host machine. If the host can not supply sufficient power, ZEBEX provides adapters of the following plug types:

UK Plug	US Plug	Australian Plug	European Plug	Korean Plug
				

* The figures are for reference only. The adaptor form factor is subject to change without prior notice.