

Z-3392 Series Gun Type 2D Image Handheld Scanner

Standard Device



PIN-OUT CONFIGURATION

RJ 1.	RTS	RJ 2.	USB+
RJ 3.	USB-	RJ 4.	GND
RJ 5.	CTS	RJ 6.	RXD
RJ 7.	NC	RJ 8.	+5V
RJ 9.	NC	RJ 10.	TXD

Barcode	P/N	Model Name	Remark
	88H-3900RP-001	Z-3392 (R)(B)	Gun Type 2D Image Handheld Scanner, Black, RS232 cable
	88H-3900RP-U01	Z-3392 (R)(B)	Gun Type 2D Image Handheld Scanner, Black, RS232 cable, US adapter
	88H-3900RP-K01	Z-3392 (R)(B)	Gun Type 2D Image Handheld Scanner, Black, RS232 cable, UK adapter
	88H-3900RP-E01	Z-3392 (R)(B)	Gun Type 2D Image Handheld Scanner, Black, RS232 cable, EU adapter
	88H-3900RP-A01	Z-3392 (R)(B)	Gun Type 2D Image Handheld Scanner, Black, RS232 cable, AU adapter
	88H-3900RP-0S1	Z-3392 (R)(B)	Gun Type 2D Image Handheld Scanner, RS232 cable, stand
	88H-3900UB-001	Z-3392 (U)(B)	Gun Type 2D Image Handheld Scanner, Black, USB cable
	88H-3900UB-0N1	Handheld Scanner	Gun Type 2D Image Handheld Scanner, Black, USB cable, no brand
	88H-3900UB-0S1	Z-3392 (U)(B)	Gun Type 2D Image Handheld Scanner, Black, USB cable, stand

[Buyer's Guide]

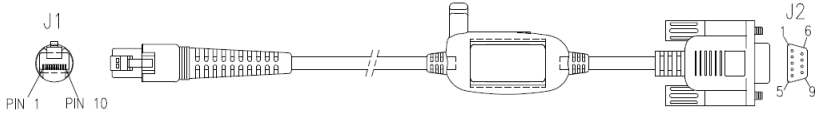

Optional Accessory

	Description		Stand for Z-319X Series	
	Barcode		P/N	Remark
			88H-90ST00-000	White Housing
			88H-90ST00-001	Black Housing
			88H-90ST00-0NB	White Housing w/o ZEBEX logo
		88H-90ST00-0N1	Black Housing w/o ZEBEX logo	

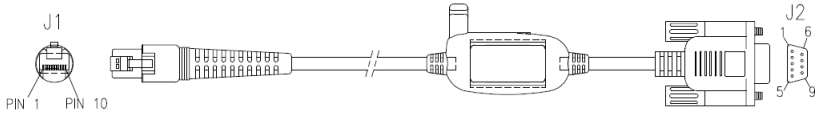


Cable Options

- The standard cable is gray, straight, and 2 meters (6.5 feet) in length.
- The standard cable options include RS-232 and USB.
- Special Order Requirement:
ZEBEX is capable of supplying special customized cables, given that customers provide detailed pin configurations. Please contact your sales representative to further discuss the minimum order quantity of the special cables.

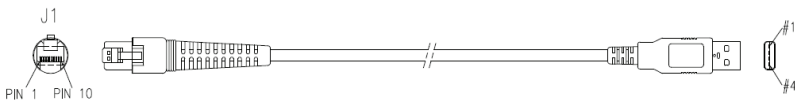


1. RS-232C Communication Cable (DTE pin out)

	DB-9 (F)		FUNCTION
	2		TX
	3		RX
	7		CTS
	8		RTS
	5		GND
9		+5V Input	
Item Part No.	171-10R442-200		

2. RS-232C Communication Cable (DCE pin out) (non-standard option)

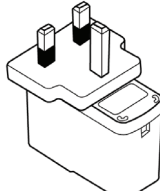
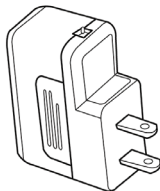
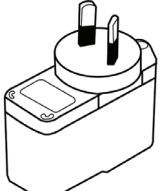
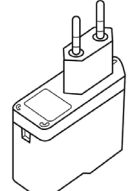
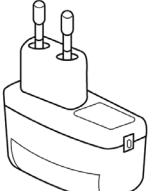
	PIN-OUT CONFIGURATION		
	DB-9 (F)		FUNCTION
	2		RX
	3		TX
	7		RTS
	8		CTS
5		GND	
9		+5V Input	
Item Part No.	171-10R432-200		
	171-10R433-200		

3. USB Cable

		USB TYPE A CONNECTOR	FUNCTION
			1.
	2.	D-	
	3.	D+	
	4.	VSS	
Item Part No.	171-10U302-200		
	171-10U303-200		

Power Adapter

Z-3392 requires a minimum of 115mA at 5 VDC power and consumes power from the host machine. If the host can not supply sufficient power, ZEBEX provides adapters of the following plug types:

UK Plug	US Plug	Australian Plug	European Plug	Korean Plug
				

* The figures are for reference only. The adaptor form factor is subject to change without prior notice.