

Z-3392 Plus-HC 2D Image Gun Type Handheld Scanner for Healthcare

Standard Device



PIN-OUT CONFIGURATION

RJ 1.	RTS	RJ 2.	USB+
RJ 3.	USB-	RJ 4.	GND
RJ 5.	CTS	RJ 6.	RXD
RJ 7.	NC	RJ 8.	+5V
RJ 9.	NC	RJ 10.	TXD

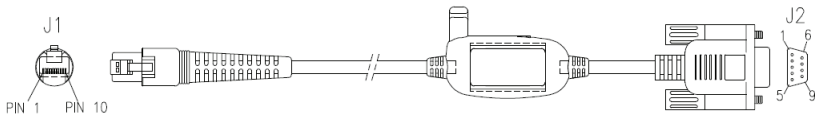

Barcode	P/N	Model Name	Remark
	88H-39PLUB-006	Z-3392 Plus-HC(U)(A)	Gun Type 2D Image Handheld Scanner Antimicrobial USB
	88H-39PLRP-006	Z-3392 Plus-HC(R)(A)	Gun Type 2D Image Handheld Scanner Antimicrobial RS232
	88H-39PLRP-A06	Z-3392 Plus-HC(R)(A)	Gun Type 2D Image Handheld Scanner Antimicrobial RS232 AU adapter
	88H-39PLRP-E06	Z-3392 Plus-HC(R)(A)	Gun Type 2D Image Handheld Scanner Antimicrobial RS232 EU adapter
	88H-39PLRP-K06	Z-3392 Plus-HC(R)(A)	Gun Type 2D Image Handheld Scanner Antimicrobial RS232 UK adapter
	88H-39PLRP-U06	Z-3392 Plus-HC(R)(A)	Gun Type 2D Image Handheld Scanner Antimicrobial RS232 US adapter

[Buyer's Guide]

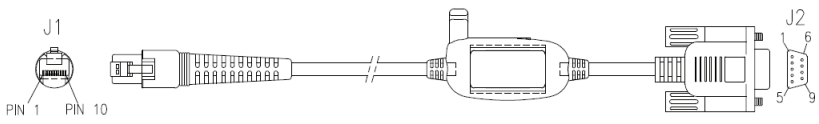


Cable Options

- The standard cable is gray, straight, and 2 meters (6.5 feet) in length.
- The standard cable options include RS-232 and USB.
- Special Order Requirement:
ZEBEX is capable of supplying special customized cables, given that customers provide detailed pin configurations. Please contact your sales representative to further discuss the minimum order quantity of the special cables.

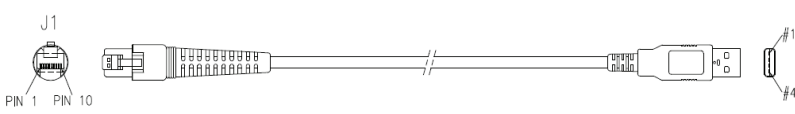


1. RS-232C Communication Cable (DTE pin out)

		DB-9 (F)	FUNCTION
		2	TX
		3	RX
		7	CTS
		8	RTS
		5	GND
		9	+5V Input
Item Part No.	171-10R442-200		

2. RS-232C Communication Cable (DCE pin out) (non-standard option)

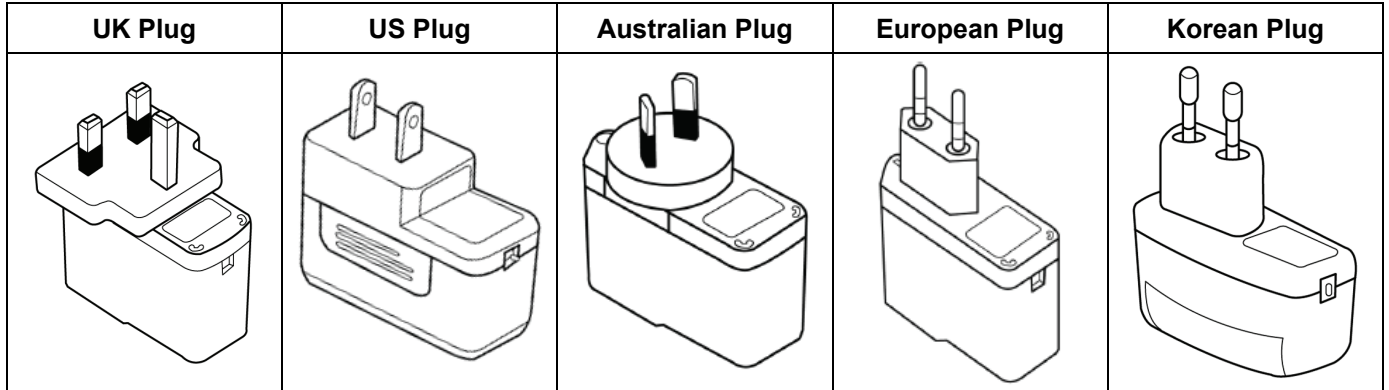
		PIN-OUT CONFIGURATION	
		DB-9 (F)	FUNCTION
		2	RX
		3	TX
		7	RTS
		8	CTS
		5	GND
		9	+5V Input
Item Part No.	171-10R432-200		
	171-10R433-200		

3. USB Cable

		USB TYPE A CONNECTOR	FUNCTION
		1.	VCC
		2.	D-
		3.	D+
		4.	VSS
Item Part No.	171-10U302-200		
	171-10U303-200		

Power Adapter

Z-3392 Plus-HC requires a minimum of 250mA at 5 VDC power and consumes power from the host machine. If the host can not supply sufficient power, ZEBEX provides adapters of the following plug types:



* The figures are for reference only. The adaptor form factor is subject to change without prior notice.