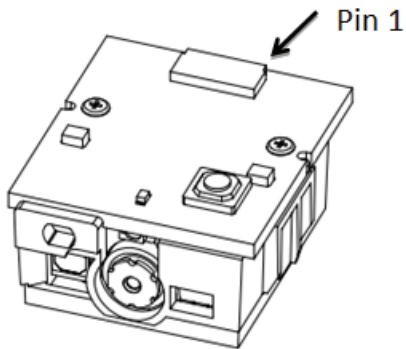
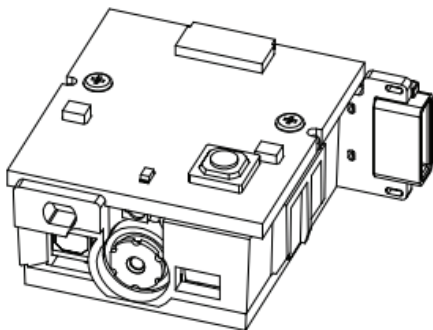


Z-5112 GT 2D Image Scan Engine



Standard Device



Z-5112 GT PIN-OUT CONFIGURATION (12 pin)			
1.	3.3V	7.	GND
2.	RXD	8.	D+
3.	Trigger	9.	GR (Good read LED output)
4.	VBUS	10.	CTS
5.	TXD	11.	Beep
6.	RTS	12.	D-




Z-5112 GT USB PIN-OUT CONFIGURATION (Micro USB)	
1.	5V
2.	D-
3.	D+
4.	N/A
5.	GND

Barcode	P/N	Model Name	Remark
	88M-02GT00-001	Z-5112 GT	2D Image Scan Engine
	88M-02GTUB-001	Z-5112 GT (U)	2D Image Scan Engine MicroUSB

Optional Demo Board

The demo board is to test the function and performance of Z-5112 GT, the scan engine with decoder.

Barcode	P/N	Model Name	Remark
	88C-12DB00-000	Demo board	Scan engine demo board with flat cable on board, RS-232 cable and USB cable