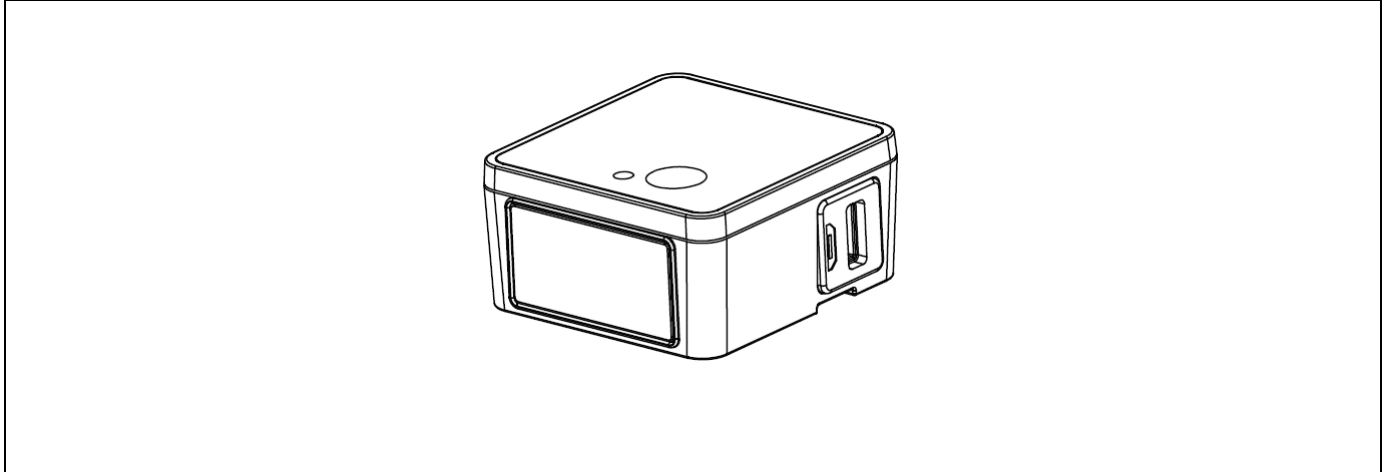





# [ Buyer's Guide ]

## Z-5132 2D Image Scan Module

### Standard Device



### Ordering Information

Barcode	P/N	Model Name	Remark
	88M-320000-001	Z-5132	2D Image Scan Module w/o Micro USB cable
	88M-3200UB-001	Z-5132(U)	2D Image Scan Module w/USB cable
	88M-3200RP-001	Z-5132(R)	2D Image Scan Module w/RS-232 cable

### Cable Options


- The standard USB cable is black, straight, and 1.5 meters (4.9 feet) in length.
- The optional RS-232 cable is black, straight, and 2 meters (6.5 feet) in length.
- Special Order Requirement:

ZEBEX is capable of supplying special customized cables, given that customers provide detailed pin configurations. Please contact your sales representative to further discuss the minimum order quantity of the special cables. Please contact your sales representative to further discuss the minimum order quantity of the special cables.

# [ Buyer's Guide ]

## Standard


### USB interface cable



PIN-OUT CONFIGURATION			
Micro USB		USB A Type	
PIN	FUNCTION	PIN	FUNCTION
1	5V	1	VBUS
2	D-	2	D-
3	D+	3	D+
4	N.C.	4	GND
5	GND		N.C.

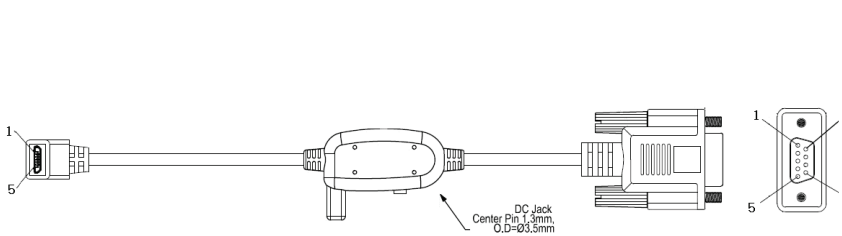
Note: Cable length 1.5M

**Cable Part Number:** 170-15U307-150



## Optional


### RS-232 interface cable (for Z-5132 (R) only)



PIN-OUT CONFIGURATION			
Micro USB		RS-232	
PIN	FUNCTION	PIN	FUNCTION
1	5V	1	N.C.
2	RX	2	RX
3	TX	3	TX
4	N.C.	5	GND
5	GND	9	+5V input

Note: Cable length 2M

**Cable Part Number:** 170-15R444-200



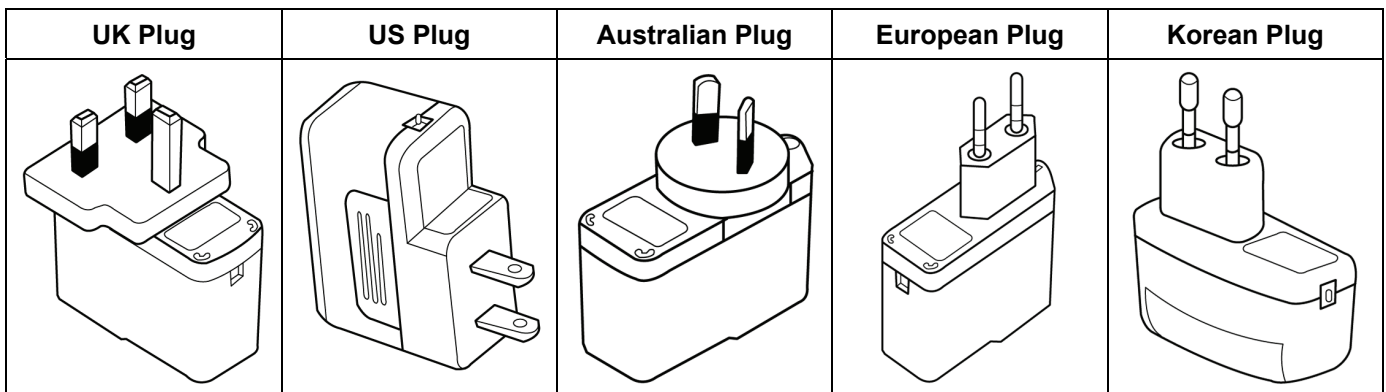
DC Jack  
Center Pin 1.3mm,  
O.D.=0.5mm

Inner of DC-Jack: +5V DC  
Outer of DC-Jack: GND

\* Power adapter required if host can not provide sufficient power

## Power Adapter

Z-5132 requires a minimum of 200mA at 5 VDC power and consumes power from the host machine. If the host can not supply sufficient power, ZEBEX provides adapters of the following plug types:



\* The figures are for reference only. The adaptor form factor is subject to change without prior notice.