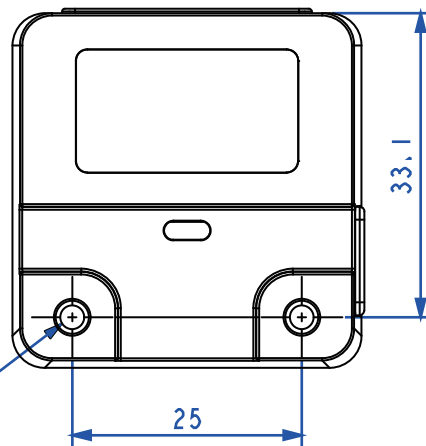
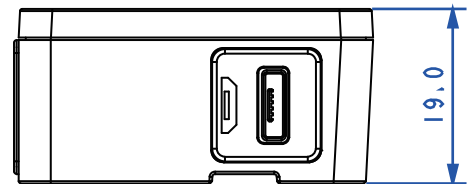
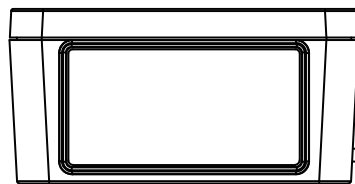
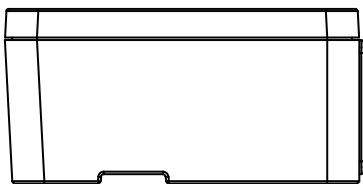
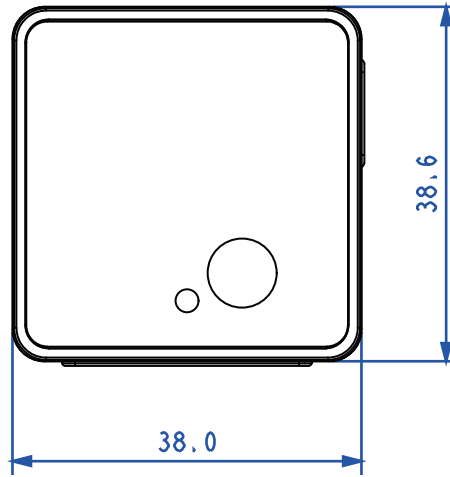
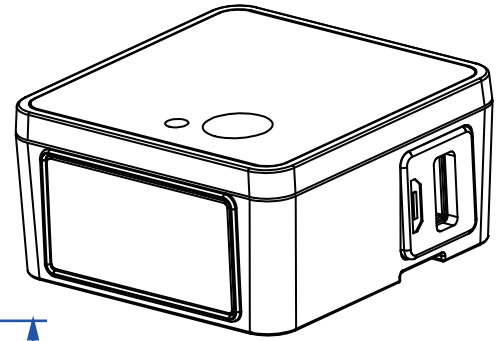


Z-5132 GT 2D Image Scan Engine



M3X0.5 Depth=5.0