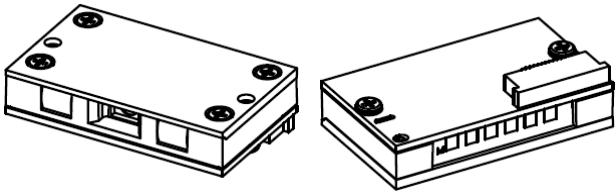



## Z-5210 Micro Linear Image Scan Engine

32 Bit  
Ultrascan Decoding Technology


### Standard Device

	PIN-OUT CONFIGURATION			
	1.	VDD	7.	GND
	2.	RXD	8.	USB+
	3.	Trigger	9.	LED_OUT
	4.	USB Power	10.	CTS
	5.	TXD	11.	BEEPER_OUT
	6.	RTS	12.	USB-

Barcode	P/N	Model Name	Remark
	88M-2100RP-001	Z-5210	Linear Image Scan Engine, RS232 Interface

### Optional Demo Board

The demo board is to test the function and performance of Z-5111 and Z-5210, the scan engine with decoder.

Barcode	P/N	Model Name	Remark
	88C-31DB00-000	Demo Board	Scan engine demo board with flat cable on board, RS-232 cable and USB cable