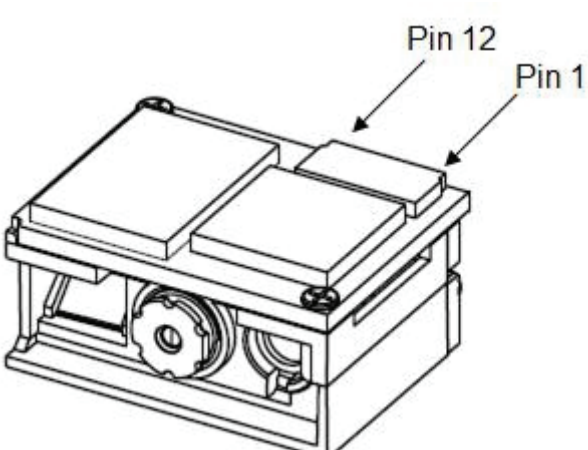




Z-5212 2D Image Scan Engine


Standard Device

	PIN-OUT CONFIGURATION		
	RS-232	USB	
	1.	Host_Download	
	2.	VDD	
	3.	GND	
	4.	RXD	D- (USB)
	5.	TXD	Reserved
	6.	CTS	D+ (USB)
	7.	RTS	Reserved
	8.	PWR_Down	
	9.	Beeper_Out	
	10.	DEC_LED	
	11.	Wake_Up	
12.	Trigger		

Barcode	P/N	Model Name	Remark
	88M-12RP00-001	Z-5212(R)	2D Image Scan Engine RS232
	88M-12UB00-001	Z-5212(U)	2D Image Scan Engine USB

Optional Demo Board

The demo board is to test the function and performance of Z-5212 2D Image Scan Engine.

Barcode	P/N	Model Name	Remark
	88M-12DB00-001	Z-5212 Demo Board	Demo Board for Z-5212