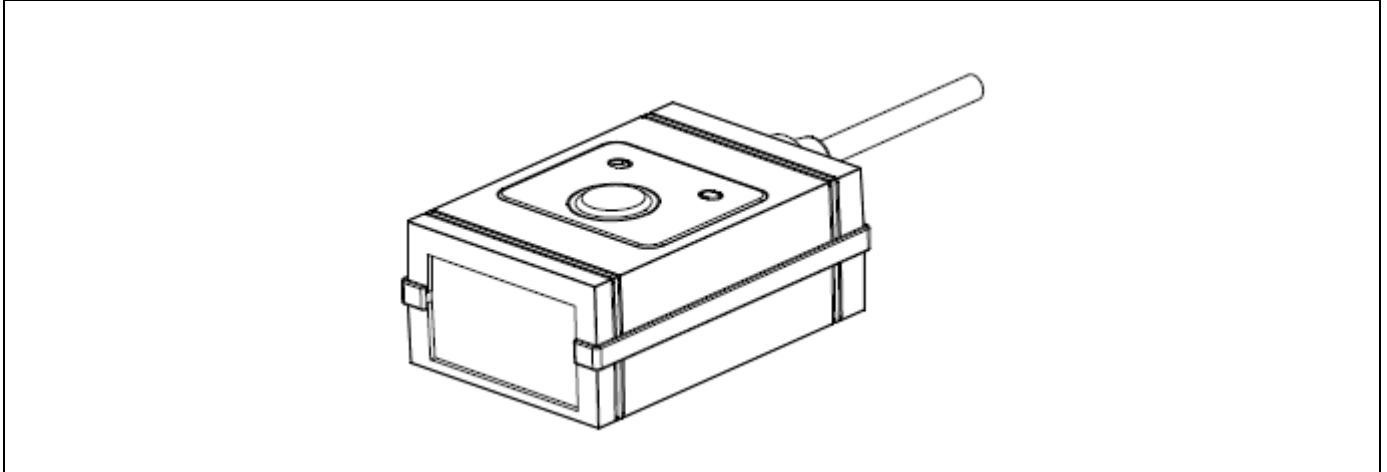


[Buyer's Guide]

Z-5652 Plus 2D Image Scan Module

Standard Device



Ordering Information

Barcode	P/N	Model Name	Remark
	88M-52PLUB-001	Z-5652 Plus (U)	2D Image Scan Module USB
	88M-52PLRP-001	Z-5652 Plus (R)	2D Image Scan Module RS232
	88M-52PLRP-A01	Z-5652 Plus (R)	2D Image Scan Module RS232 AU adapter
	88M-52PLRP-E01	Z-5652 Plus (R)	2D Image Scan Module RS232 EU adapter
	88M-52PLRP-K01	Z-5652 Plus (R)	2D Image Scan Module RS232 UK adapter
	88M-52PLRP-U01	Z-5652 Plus (R)	2D Image Scan Module RS232 US adapter

[Buyer's Guide]

Standard Cable Options

- The standard cable is black, straight, and 2 meters (6.5 feet) in length.
- The standard cable options include RS-232 or USB.
- Special Order Requirement:
ZEBEX is capable of supplying special customized cables, given that customers provide detailed pin configurations. Please contact your sales representative to further discuss the minimum order quantity of the special cables.

1. RS-232 interface (DTE Pinout) – Power adapter required if host can not provide sufficient power

	PIN-OUT CONFIGURATION			
	PIN	FUNCTION	PIN	FUNCTION
1	N.C.	6	N.C.	
2	TXD	7	CTS	
3	RXD	8	RTS	
4	N.C	9	+5V Input	
5	GND			
Inner of DC-Jack: +5V DC				
Outer of DC-Jack: GND				
Cable Part Number: 170-51R545-200				

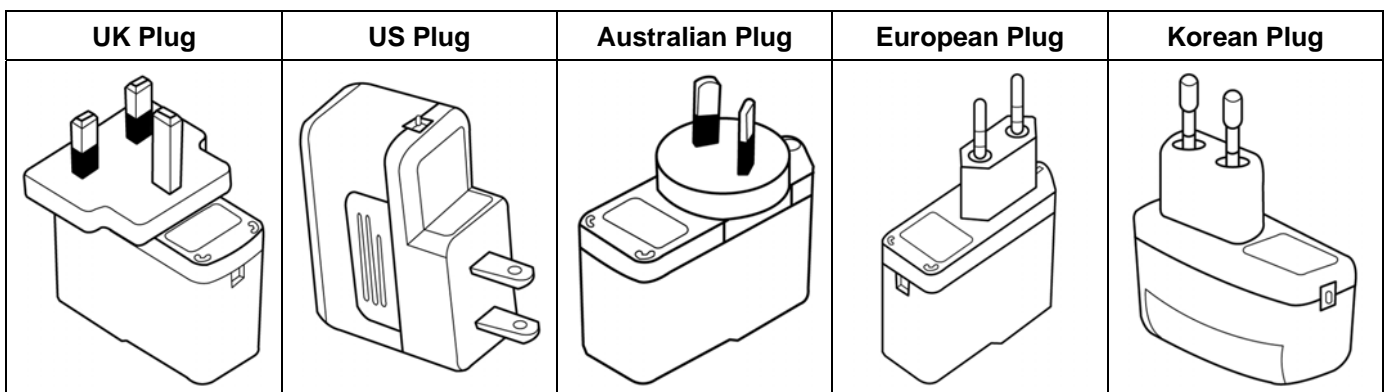
2. USB / USB virtual COM interface

	PIN	FUNCTION
	1	VBUS
2	D-	
3	D+	
4	GND	
Cable Part Number: 170-53U030-200		
Cable Part Number: 170-53U033-200		

* Additional software or special firmware may be required for activating virtual COM interface.

Power Adapter

Z-5652 Plus requires a minimum of 440mA at 5 VDC power and consumes power from the host machine. If the host can not supply sufficient power, ZEBEX provides adapters of the following plug types:



* The figures are for reference only. The adaptor form factor is subject to change without prior notice.