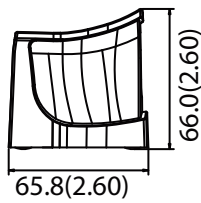
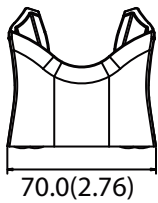
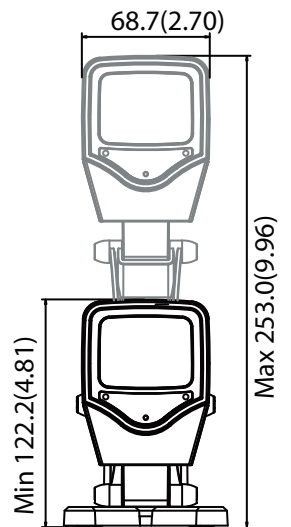
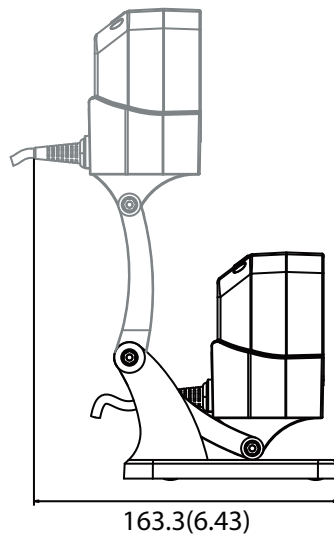
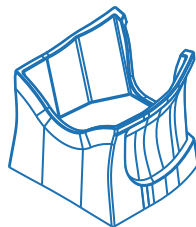
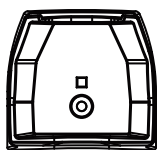
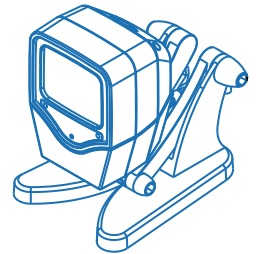
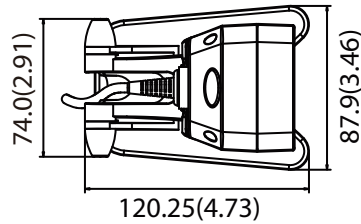
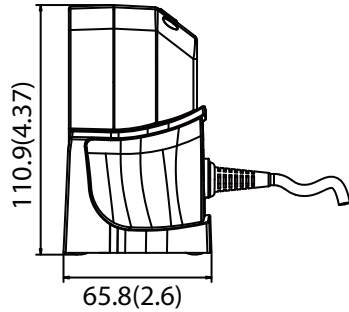
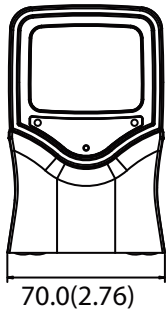
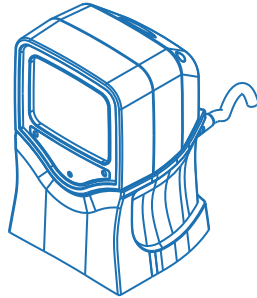
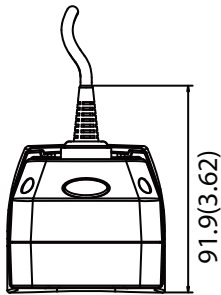


# HANDS-FREE SCANNER

• Product availability and specifications depend on territory market strategy; all are subjects to change without prior notice.  
 • ZEBEX is the trademark of ZEBEX INDUSTRIES INC, all rights reserved.

## Z-611x Series Compact Hands-Free Scanner



Units: mm(inch)  
Ver. 2007/04/25