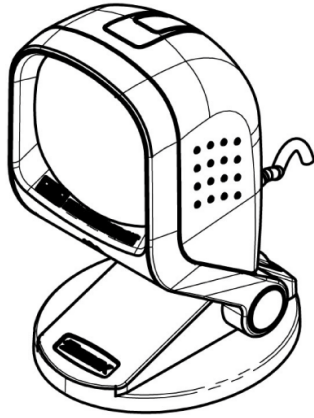


## Z-6170 Hands-Free Single-Laser Omnidirectional Scanner

### Standard Device



PIN-OUT CONFIGURATION			
PIN	FUNCTION		
	KEYBOARD	RS-232C	USB
1			USB Power
2	+5V		
3	KB_CLK		D-
4	PC_CLK	RTS_TTL	
5	GND		
6		TXD_TTL	
7		RXD_TTL	
8	KB_DATA		D+
9	PC_DATA	CTS_TTL	
10			

### Ordering Information

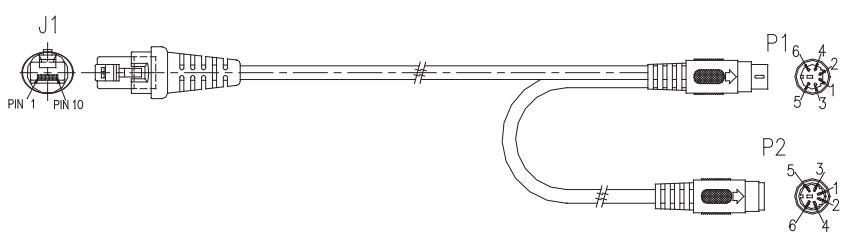

Barcode	P/N	Model Name	Remark
	88F-70GTKP-000	Z-6170(K)	White Housing w/PS/2 cable
	88F-70GTKP-001	Z-6170(K)(B)	Black Housing w/PS/2 cable
	88F-70GTRP-000	Z-6170(R)	White Housing w/RS-232 cable (DTE pin-out)
	88F-70GTRP-001	Z-6170(R)(B)	Black Housing w/RS-232 cable (DTE pin-out)
	88F-70GTUB-000	Z-6170(U)	White Housing w/USB cable
	88F-70GTUB-001	Z-6170(U)(B)	Black Housing w/USB cable
	88F-70GTKP-0NB	Z-6170(K)	White Housing w/PS/2 cable w/o ZEBEX logo
	88F-70GTKP-0N1	Z-6170(K)(B)	Black Housing w/PS/2 cable w/o ZEBEX logo
	88F-70GTRP-0NB	Z-6170(R)	White Housing w/RS-232 cable (DTE pin-out) w/o ZEBEX logo
	88F-70GTRP-0N1	Z-6170(R)(B)	Black Housing w/RS-232 cable (DTE pin-out) w/o ZEBEX logo
	88F-70GTUB-0NB	Z-6170(U)	White Housing w/USB cable w/o ZEBEX logo
	88F-70GTUB-0N1	Z-6170(U)(B)	Black Housing w/USB cable w/o ZEBEX logo

# [ Buyer's Guide ]

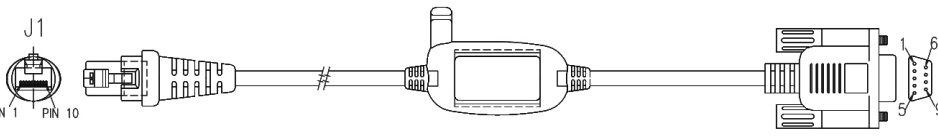

## Standard Cable Options

- The standard cable is gray, straight, and 2 meters (6.5 feet) in length.
- The standard cable options include PS/2, RS-232, and USB cable.
- Special Order Requirement:  
ZEBEX is capable of supplying special customized cable, given that customers provide detailed pin configurations. The minimum order quantity of a special cable is 250 pcs.

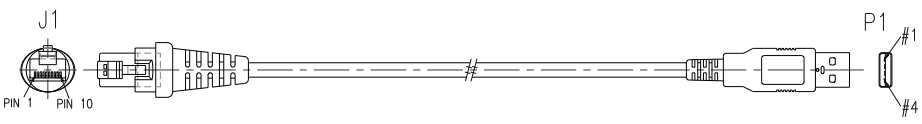

### 1. Keyboard Wedge Cable (for PS/2)

		PIN-OUT CONFIGURATION			
		MINI DIN (M)		MINI DIN(F)	
DIN	FUNCTION	DIN	FUNCTION		
1.	PC Data	1.	KB Data		
2.	N.C.	2.	N.C.		
3.	GND	3.	GND		
4.	+5V	4.	+5V		
5.	PC Clock	5.	KB Clock		
6.	N.C.	6.	N.C.		
<b>Item Part No.</b>	171-42K100-200				

### 2. RS-232 Cable

<b>DTE PINOUT</b>		PIN-OUT CONFIGURATION	
		DB-9 (F)	FUNCTION
		2	TX
		3	RX
		7	CTS
		8	RTS
		5	GND
		9	+5V
<b>Item Part No.</b>	171-42R442-200		

### 3. HID USB / Virtual COM USB/ OPOS USB Cable

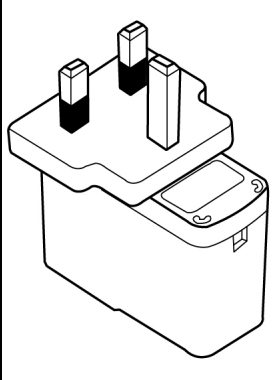
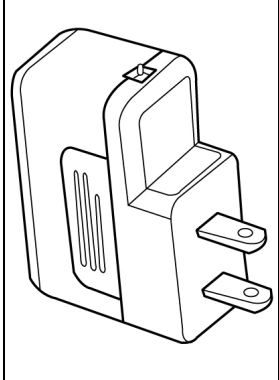
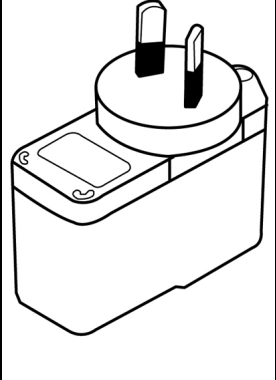
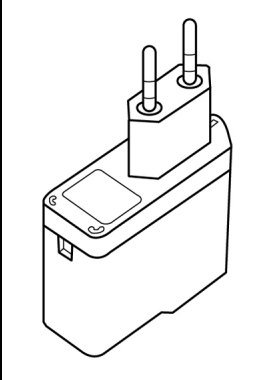
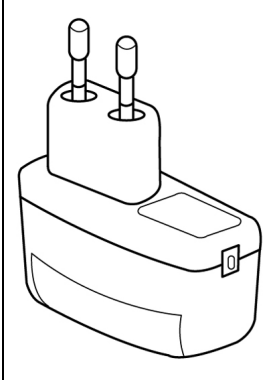
		USB TYPE A CONNECTOR	FUNCTION
		1.	VCC
		2.	D-
		3.	D+
		4.	VSS
<b>Item Part No.</b>	171-42U302-200		

\* Additional software installation may be necessary for activating USB virtual COM or OPOS interface.

# [ Buyer's Guide ]

## **Power Adapter**

Z-6170 normally requires 270mA at 5 VDC power and consumes power from the host machine. If the host can not supply sufficient power, ZEBEX provides adapters of the following plug types:

UK Plug	US Plug	Australian Plug	European Plug	Korean Plug
 A line drawing of a power adapter with three rectangular prong pins of varying heights protruding from the top.	 A line drawing of a power adapter with two flat, parallel prong pins protruding from the bottom.	 A line drawing of a power adapter with two rectangular prong pins protruding from the top, one slightly longer than the other.	 A line drawing of a power adapter with two round prong pins protruding from the top.	 A line drawing of a power adapter with two round prong pins protruding from the top, one slightly longer than the other.

\* The figures are for reference only. The adaptor form factor is subject to change without prior notice.