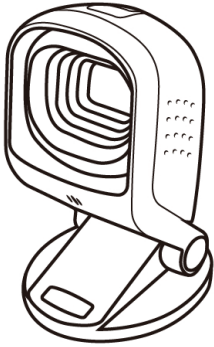




# [ Buyer's Guide ]

## Z-6172 Hands-Free 2D Image Reader

### Standard Device

	PIN-OUT CONFIGURATION		
	PIN	FUNCTION	
		RS-232C	USB
	1		VBUS
	2	+5V	
	3		D-
	4	RTS	
	5	GND	
	6	TXD	
	7	RXD	
8		D+	
9	CTS		
10	NC		

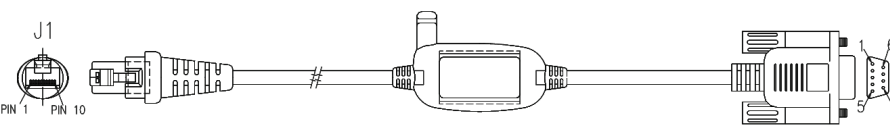

### Ordering Information

Barcode	P/N	Model Name	Remark
	88F-7200UB-001	Z-6172(U)(B)	2D Image Hands-Free Scanner, Black, USB Cable
	88F-7200RP-001	Z-6172(R)(B)	2D Image Hands-Free Scanner, Black, RS-232 Cable

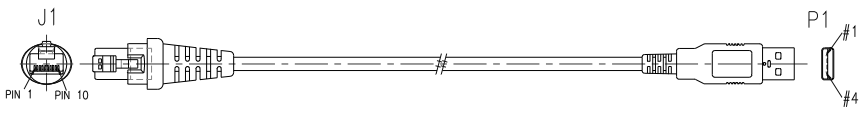

### Standard Cable Options

- The standard cable is gray, straight, and 2 meters (6.5 feet) in length.
- The standard cable options include RS-232 and USB.
- Special Order Requirement:  
ZEBEX is capable of supplying special customized cable, given that customers provide detailed pin configurations. The minimum order quantity of a special cable is 250 pcs.

#### 1. RS-232C Cable

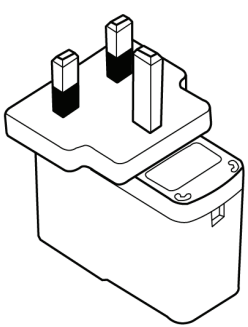
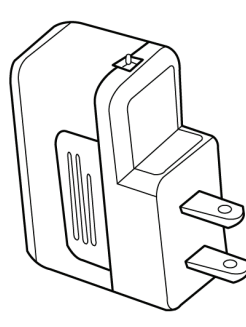
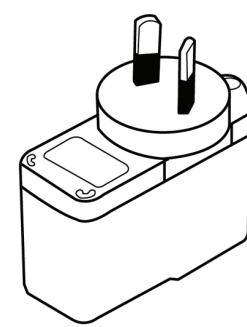
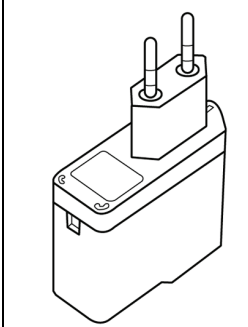
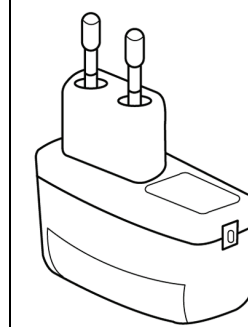
<b>DTE PINOUT</b> 		<b>PIN-OUT CONFIGURATION</b>	
		<b>DB-9 (F)</b>	<b>FUNCTION</b>
		2	TX
		3	RX
		7	CTS
		8	RTS
		5	GND
		9	+5V
<b>Item Part No.</b>	171-42R442-200		

## 2. USB Cable

		USB TYPE A CONNECTOR	FUNCTION
		1.	VCC
		2.	D-
		3.	D+
		4.	VSS
Item Part No.	171-42U302-200		

## Power Adapter

Z-6172 requires a minimum of 110mA at 5 VDC power and consumes power from the host machine. If the host can not supply sufficient power, ZEBEX provides adapters of the following plug types:

UK Plug	US Plug	Australian Plug	European Plug	Korean Plug
				

\* The figures are for reference only. The adaptor form factor is subject to change without prior notice.