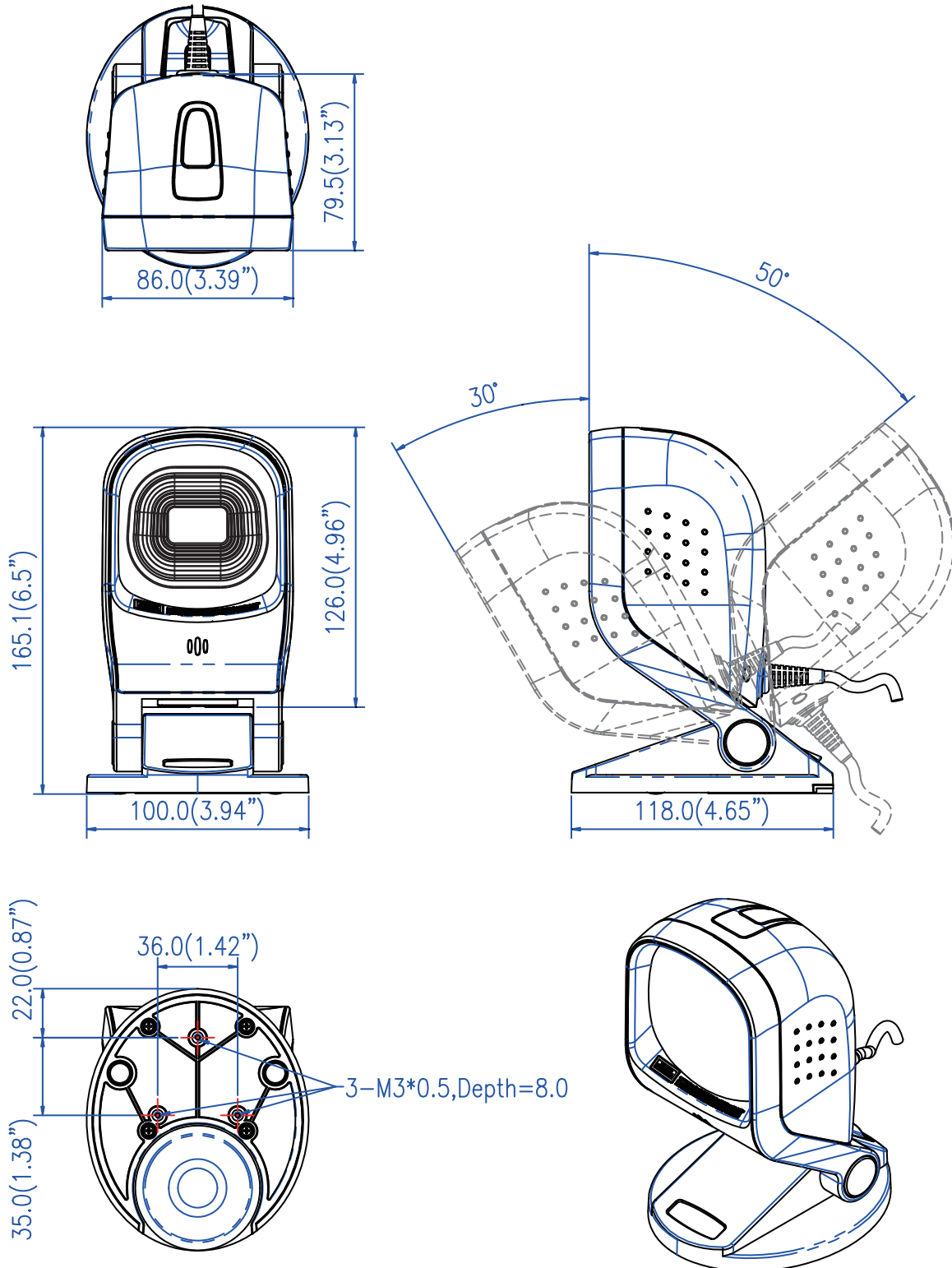


HANDS-FREE SCANNER

- Product availability and specifications depend on territory market strategy; all are subjects to change without prior notice.
- ZEBEX is the trademark of ZEBEX INDUSTRIES INC, all rights reserved.

Z-6172

Hands-Free 2D Image Reader



Units: mm(inch)
Ver. 2014/10/30