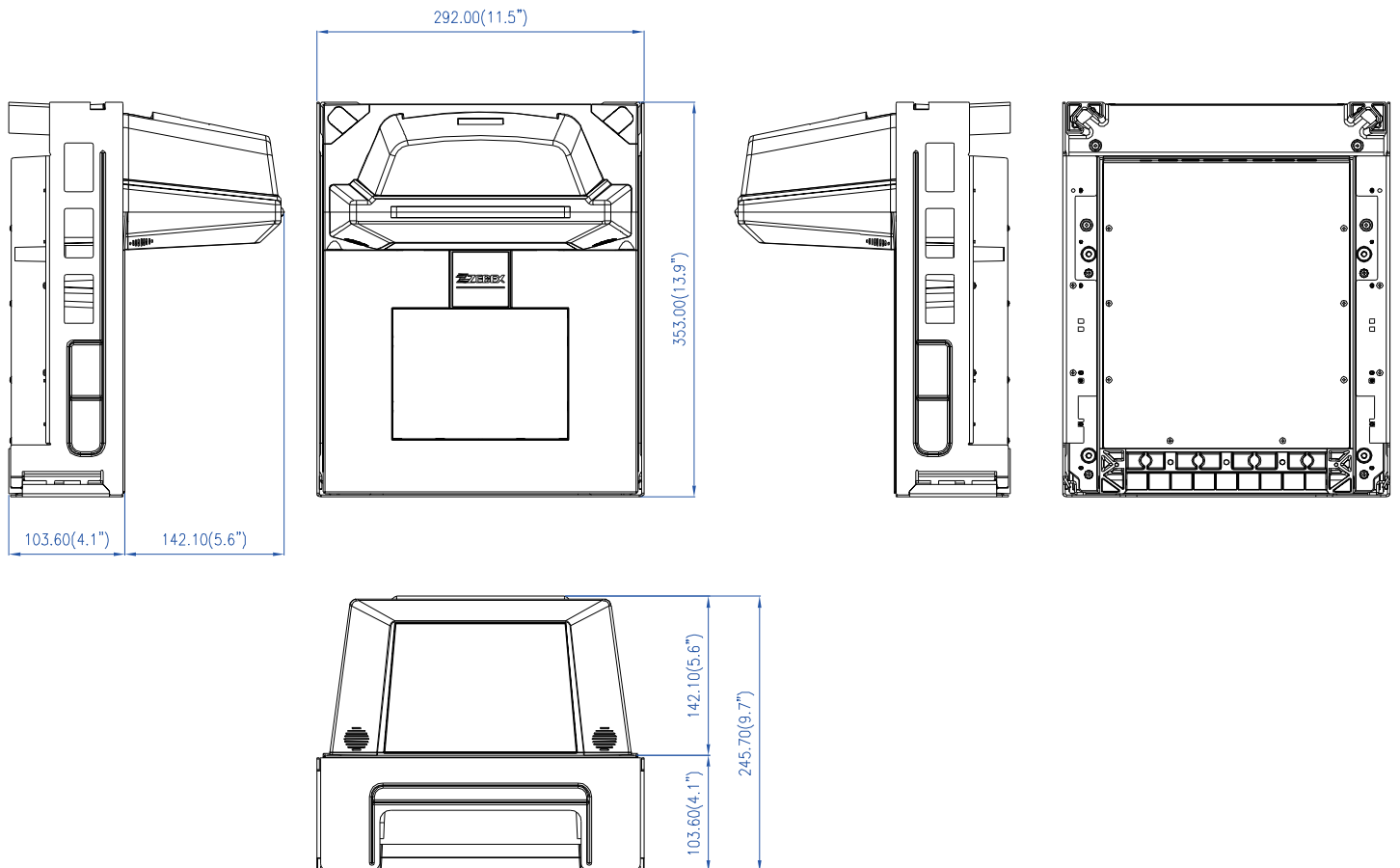
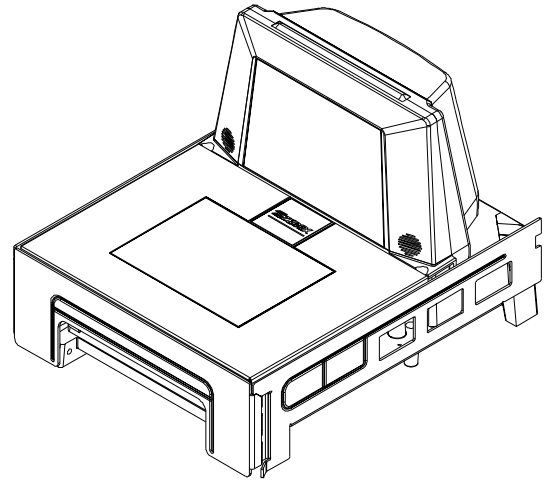
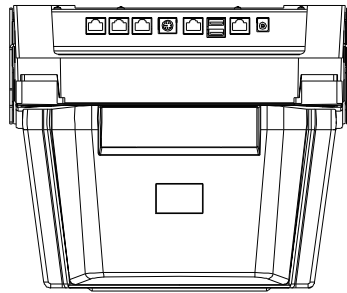


# IN-COUNTER SCANNER

- Product availability and specifications depend on territory market strategy; all are subjects to change without prior notice.
- ZEBEX is the trademark of ZEBEX INDUSTRIES INC, all rights reserved.

## Z-6910

### Superb Bi-Optical In-Counter Scanner



Units: mm(inch)  
Ver. 2015/12/28