


[Buyer's Guide]

Z-7212 Android Fixed Computer

Standard Device

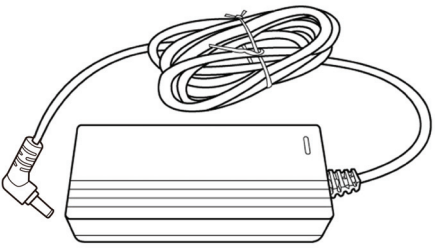




Ordering Information

Barcode	P/N	Model Name	Remark
	887-212000-001	Z-7212	Z-7212, 10.1", Android, 2D+Camera+WiFi+BT+POE+1G RAM+16G ROM+Ethernet Extension Cable+Plug Extension Cable

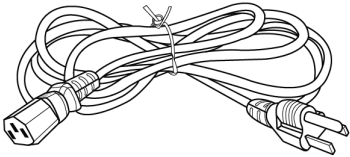





Optional Accessory

The power supply provides 12 volts DC voltage to the device; the detailed power requirement is as below:

	Voltage	AC 100~240V
	Frequency	50~60HZ
	Output	12V 
Barcode	P/N	Remark
	11S-12050N-90F	Power Supply AC100~240V/DC +12V/4.16A

Optional Power Cord

A country specific power cord is required to connect the electrical outlet and power supply. Select the proper IEC power cord for your country.

	Barcode	P/N	Remark
		161-001021-800	Power cord, EU, 2 Pin, black, 180cm
		161-002041-800	Power cord, UK, 3 pin, black, 180cm
		161-002031-800	Power cord, AU, 3 pin, black, 180cm
		161-002111-002	Power cord, KR, 3 pin, black, 180cm
		161-004011-800	Power cord, USA, 3Pin, black, 180cm

***Note: the figures are for reference only. Items are subject to change without prior notice.**