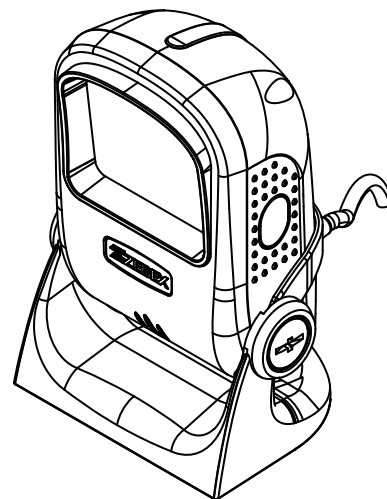
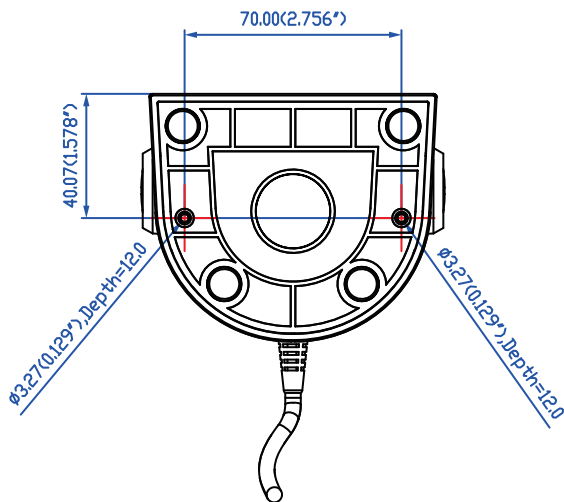
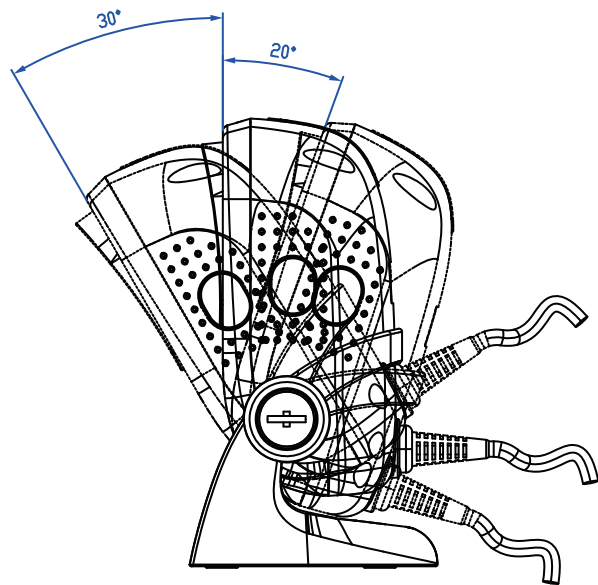
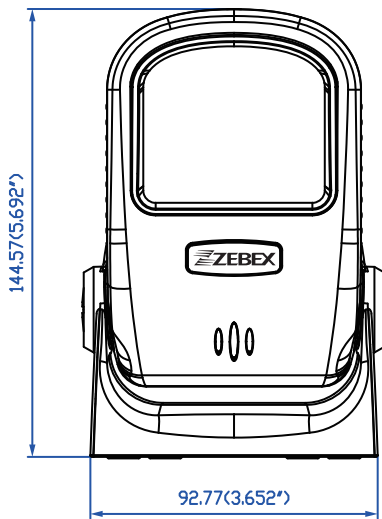
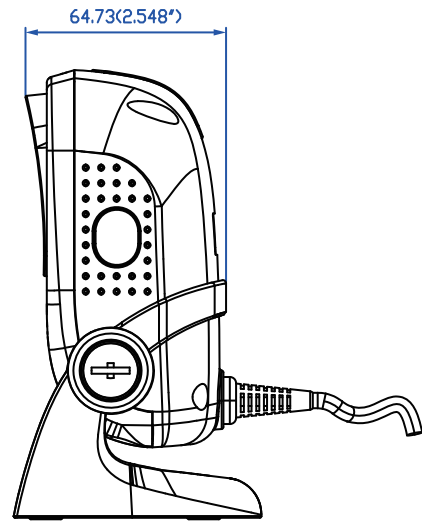
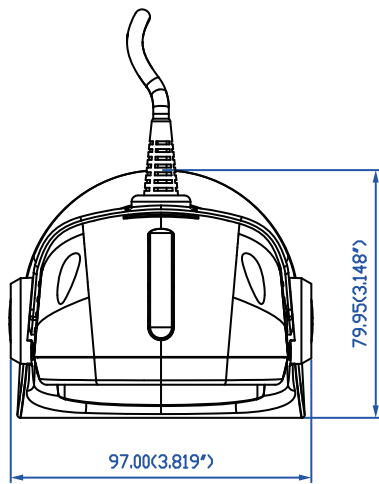


HANDS-FREE SCANNER

- Product availability and specifications depend on territory market strategy; all are subjects to change without prior notice.
- ZEBEX is the trademark of ZEBEX INDUSTRIES INC, all rights reserved.

Z-8072 Ultra 2D Image Hands-Free Scanner



Units : mm(inch)
Ver. 2019/06/28