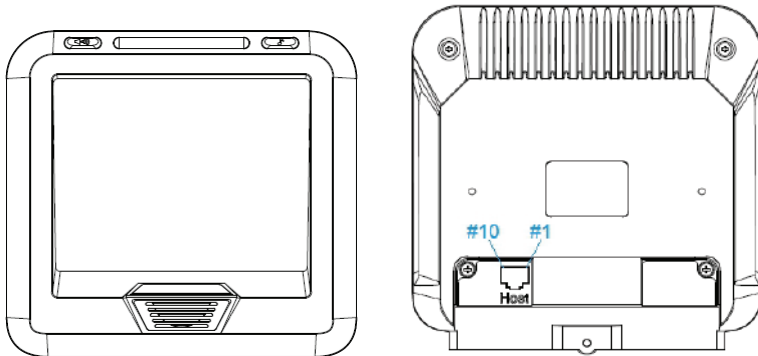


# [ Buyer's Guide ]

## Z-8182 2D Image On-Counter Scanner

### Standard Device



Pin	RS-232C	USB
1	N.C.	USB Power
2	+5V	
3	N.C.	D-
4	N.C.	N.C.
5	Ground	
6	TXD_TTL	N.C.
7	RXD_TTL	N.C.
8	N.C.	D+
9	N.C.	N.C.
10	N.C.	N.C.

### Ordering Information

Barcode	P/N	Model Name	Remark
	88N-1800UB-001	Z-8182(U)	2D Image On-Counter Scanner USB
	88N-1800RP-001	Z-8182(R)	2D Image On-Counter Scanner RS232
	88N-1800RP-A01	Z-8182(R)	2D Image On-Counter Scanner RS232 AU adapter
	88N-1800RP-E01	Z-8182(R)	2D Image On-Counter Scanner RS232 EU adapter
	88N-1800RP-K01	Z-8182(R)	2D Image On-Counter Scanner RS232 UK adapter
	88N-1800RP-U01	Z-8182(R)	2D Image On-Counter Scanner RS232 US adapter

# [ Buyer's Guide ]

## Standard Cable Options

- The standard cable is gray, straight, and 2 meters (6.5 feet) in length.
- The standard cable options include USB and RS-232.
- Special Order Requirement:  
ZEBEX is capable of supplying special customized cables, given that customers provide detailed pin configurations. Please contact your sales representative to further discuss the minimum order quantity of the special cables.

### 1. HID USB / USB Virtual COM Cable

		USB TYPE A CONNECTOR	FUNCTION
		1	VCC
		2	D-
		3	D+
		4	GND
<b>Item Part No.</b>	171-43U313-200		

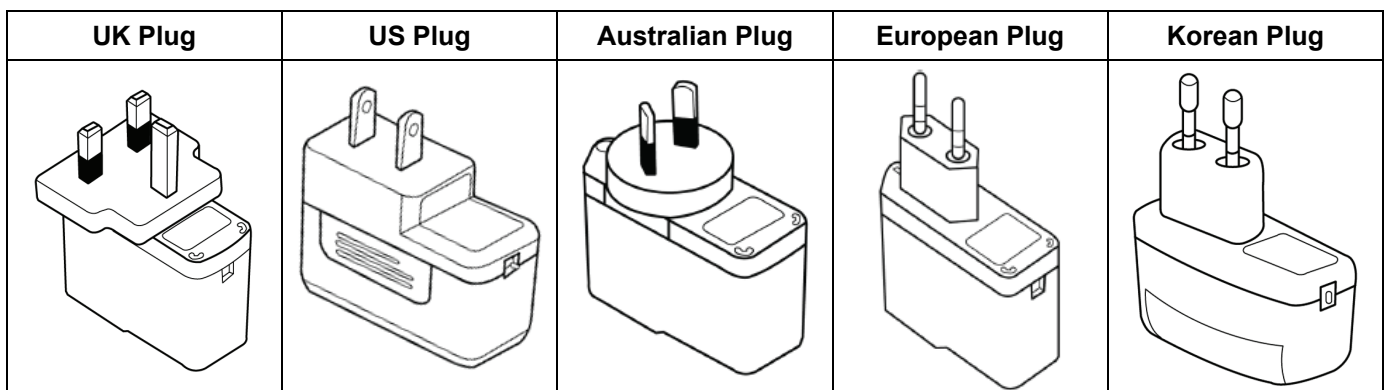
- Additional software and special firmware may be required for activating USB virtual COM interface.

### 2. RS-232C Cable

		DB-9 (F)	FUNCTION
		2	TX
		3	RX
		7	N.C.
		8	N.C.
		5	GND
<b>Item Part No.</b>	171-43R443-200		

## Power Adapter

Z-8182 requires a minimum of 250 mA at 5 VDC power and consumes power from the host machine. If the host can not supply sufficient power, ZEBEX provides adapters of the following plug types:



\* The figures are for reference only. The adaptor form factor is subject to change without prior notice.