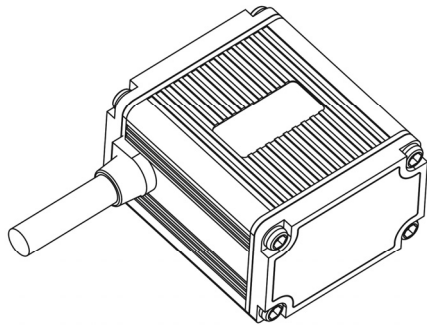


## ZX-1010 2D Image Fixed Industrial Scanner

### Standard Device



PIN-OUT CONFIGURATION		
PIN	Aviation Connector	
	FUNCTION	
1	RXD	UART
2	NG	Output
3	GND	POWER
4	TRG	Input
5	GOOD	Output
6	GND	POWER
7	TXD	UART
8	CTS	UART
9	RTS	UART
10	VIN	POWER
11	D+	USB
12	D-	USB

### Ordering Information

Barcode	P/N	Model Name	Remark
	88X-1100EI-001	ZX-1010(E)	2D Image Fixed Industrial Scanner w/RS232 Cable w/Ethernet
	88X-1100RI-001	ZX-1010(R)	2D Image Fixed Industrial Scanner w/RS232 Cable
	88X-1100UI-001	ZX-1010(U)	2D Image Fixed Industrial Scanner w/USB Cable