



Z-3220 Plus Handheld Linear Image Scanner

32 Bit
Ultrascan Decoding Technology

Standard Device

	PIN-OUT CONFIGURATION		
	MODULE JACK_PIN#	USB	RS-232C
	#1	N/C	N/C
	#2	USB_D+	N/C
	#3	USB_D-	N/C
	#4	Ground	Ground
	#5	N/C	N/C
	#6	N/C	RXD(TTL level)
	#7	N/C	N/C
	#8	+ 5V	+ 5V
	#9	N/C	N/C
#10	N/C	TXD(TTL level)	

Ordering Information

	88H-20PLRP-000	Z-3220 Plus(R)	White housing w/RS-232 cable (DTE pin-out)
	88H-20PLRP-001	Z-3220 Plus(R)(B)	Black housing w/RS-232 cable (DTE pin-out)
	88H-20PLUB-000	Z-3220 Plus(U)	White housing w/USB cable
	88H-20PLUB-001	Z-3220 Plus(U)(B)	Black housing w/USB cable

Optional Accessory

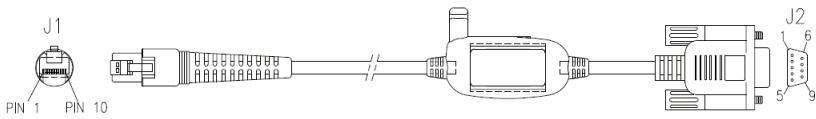


	Description	Holder for scanner	
	Barcode	P/N	Remark
		883-80HL00-001	Rubber holder for scanner

[Buyer's Guide]

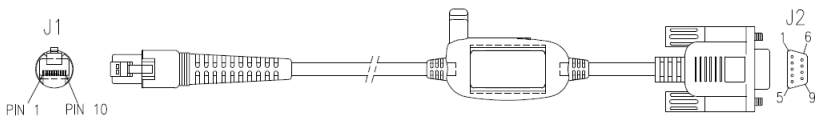


Cable Options

- The standard cable is gray, straight, and 2 meters (6.5 feet) in length.
- The standard cable options include RS-232, and USB cable.
- Special Order Requirement:
ZEBEX is capable of supplying special customized cables, given that customers provide detailed pin configurations. Please contact your sales representative to further discuss the minimum order quantity of the special cables.

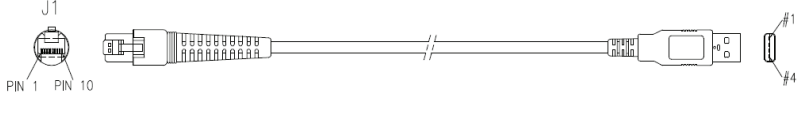


1. RS-232C Communication Cable (DTE pin out)

		PIN-OUT CONFIGURATION	
		DB-9 (F)	FUNCTION
		2	TX
		3	RX
		7	CTS
		8	RTS
		5	GND
		9	+5V Input
Item Part No.	171-10R442-200		
	171-10R443-200		

2. RS-232C Communication Cable (DCE pin out) (non-standard option)

		PIN-OUT CONFIGURATION	
		DB-9 (F)	FUNCTION
		2	RX
		3	TX
		7	RTS
		8	CTS
		5	GND
		9	+5V Input
Item Part No.	171-10R432-200		
	171-10R433-200		

4. HID USB / Virtual COM USB / OPOS USB Interface with Detachable Cable Type A

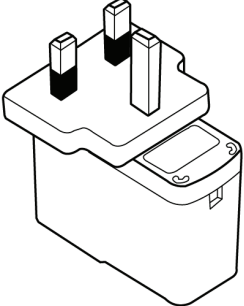
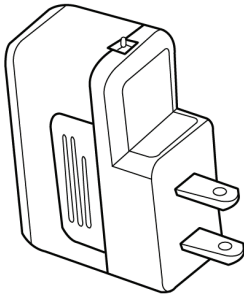
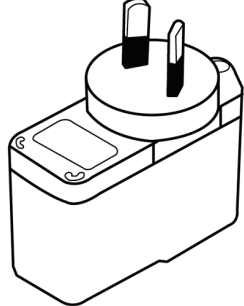
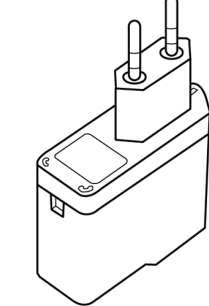
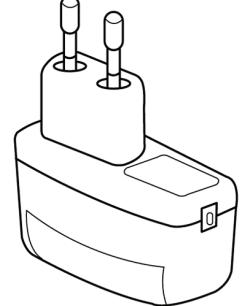
		PIN-OUT CONFIGURATION	
		USB TYPE A CONNECTOR	FUNCTION
		1.	VCC
		2.	D-
		3.	D+
		4.	VSS
Item Part No.	171-10U303-200		
	171-10U302-200		

* Additional software or special firmware may be required for activating virtual COM or OPOS USB interface.

[Buyer's Guide]

Power Adapter

Z-3220 Plus requires a minimum of 110mA at 5 VDC power and consumes power from the host machine. If the host can not supply sufficient power, ZEBEX provides adapters of the following plug types:

UK Plug	US Plug	Australian Plug	European Plug	Korean Plug
				

* The figures are for reference only. The adaptor form factor is subject to change without prior notice.